

JYMV

PRODUCT CATALOGUE


EDITION 3



江阴市船用阀门有限公司
Jiangyin Marine Valves CO.,LTD

DIN

VALVES ACCORDING TO
EUROPEAN NORM (EN) &
HISTORICALLY COMMON
GERMAN STANDARD (DIN).

A large cruise ship is shown from a low angle, sailing on the ocean. The ship is dark-colored with a prominent white hull and a red stripe at the bottom. The sky is a mix of orange and blue, suggesting a sunset or sunrise. The water is dark with some whitecaps.

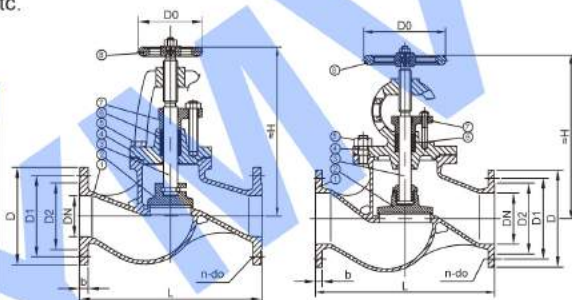
The valves in this section mainly follow the normative dimensions and pressure classes from the mentioned standardization organization. If not found here you may find the type of valve suitable for your need in other sections as well and we may also have the possibility to adopt a valve to fit your needs. Don't hesitate to contact us with any inquiry.

DESCRIPTION: Straight type, Rg5 body, metal seated screw down stop valve with rising stem, bolted bonnet. Raised face flanged.

APPLICATION: Start/stop and flow control of:
Sea water, water, steam and oils etc.
Suitable as sea direct.

DIN

NO	PART NAME	Material
1	Body	Bronze
2	Disc	Bronze
3	Stem	Brass
4	Bonnet	Bronze
5	Bolt/Nut	SS
6	Packing	PTFE
7	Gland	Bronze
8	Handwheel	Cast iron



DN 15~80

DN 100~350

General Specification	
Face to Face	DIN 558
Design Std	DIN
Flange Std	EN1092(DIN2501)
Test Std	EN 12266
Applicable temperature	≤200°C
Pressure rating	PN16(DN15~150)
	PN10(DN200)
	PN6(DN250~300)
	PN4(DN350)



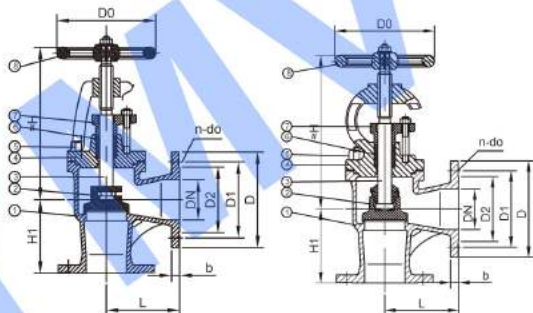
DN	L	≈H	D	D1	D2	b	n	d0	D0
15	130	140	95	65	45	12	4	14	100
20	150	145	105	75	58	12	4	14	100
25	160	162	115	85	68	14	4	14	100
32	180	170	140	100	78	15	4	18	100
40	200	180	150	110	88	16	4	18	140
50	230	195	165	125	102	17	4	18	140
65	290	245	185	145	122	17	4	18	180
80	310	270	200	160	138	19	8	18	200
100	350	370	220	180	158	20	8	18	200
125	400	425	250	210	188	24	8	18	250
150	480	480	285	240	212	25	8	22	300
200	600	620	340	295	268	25	8	22	300
250	730	640	395	350	320	29	12	22	400
300	850	720	445	400	370	26	12	22	400
350	980	900	505	460	430	33	16	22	500
400	1100	1000	565	515	482	31	16	26	560

DIN

DESCRIPTION: Angled type, Rg5 body, metal seated screw down stop valve with rising stem, bolted bonnet. Raised face flanged.

APPLICATION: Start/stop and flow control of: Sea water, water, steam and oils etc. Suitable as sea direct.

NO.	PART NAME	Material
1	Body	Bronze
2	Disc	Bronze
3	Stem	Brass
4	Bonnet	Bronze
5	Bolt/Nut	SS
6	Packing	PTFE
7	Gland	Bronze
8	Handwheel	Cast iron



DN 15~80

DN 100~350

General Specification	
Face to Face	DIN 558
Design Std	DIN
Flange Std	EN1092(DIN2501)
Test Std	EN 12266
Applicable temperature	≤200℃
Pressure rating	PN16(DN15~150)
	PN10(DN200)
	PN6(DN250~300)
	PN4(DN350)



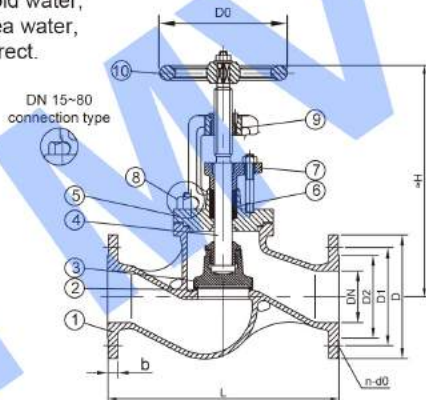
DN	L	≈H	H1	D	D1	D2	b	n	d0	D0
15	90	125	90	95	65	45	12	4	14	100
20	95	125	95	105	75	58	12	4	14	100
25	100	130	100	115	85	68	14	4	14	100
32	105	140	105	140	100	78	15	4	18	100
40	115	145	115	150	110	88	16	4	18	140
50	125	155	125	165	125	102	17	4	18	140
65	145	180	145	185	145	122	17	4	18	180
80	155	205	155	200	160	138	19	8	18	200
100	175	320	175	220	180	158	20	8	18	200
125	200	405	200	250	210	188	24	8	18	250
150	225	420	225	285	240	212	25	8	22	300
200	275	555	275	340	295	268	25	8	22	300
250	325	620	325	395	350	320	29	12	22	400
300	375	640	375	445	400	370	26	12	22	400
350	425	720	425	505	460	430	33	16	22	500

DESCRIPTION: Straight type, nodular cast iron body, metal seated screw down stop valve with rising stem, bolted bonnet. Raised face flanged connection.

APPLICATION: Aboard ships for hot and cold water, oil and steam. Start/stop and throttling of: Sea water, water, steam and oils etc. Suitable as sea direct.

DIN

NO.	PART NAME	Material
1	Body	Nodular Cast Iron
2	Seat	Bronze
3	Disc ≤65	Bronze
	Disc ≥80	Nodular Cast Iron +Brass
4	Stem	Brass
5	Bonnet	Nodular Cast Iron
6	Packing	PTFE
7	Gland	Bronze
8	Bolt/Nut	Q235A
9	Agile	Brass
10	Handwheel	Cast iron



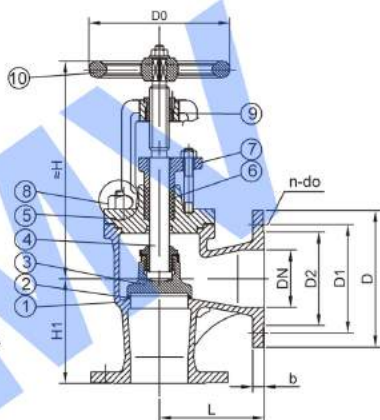
General Specification	
Face to Face	DIN 558
Design Std	DIN 86251
Flange Std	EN1092(DIN2501)
Test Std	EN 12266
Applicable temperature	≤200°C
Pressure rating	PN16(DN15~150)

DN	L	≈H	D	D1	D2	b	n	d0	D0
15	130	165	95	65	45	16	4	14	100
20	150	165	105	75	58	16	4	14	100
25	160	175	115	85	68	16	4	14	100
32	180	180	140	100	78	18	4	18	100
40	200	220	150	110	88	18	4	18	140
50	230	230	165	125	102	20	4	18	140
65	290	245	185	145	122	20	4	18	180
80	310	295	200	160	138	22	8	18	200
100	350	330	220	180	158	24	8	18	200
125	400	365	250	210	188	26	8	18	250
150	480	420	285	240	212	26	8	22	300

DIN

DESCRIPTION: Angled type, nodular cast iron body, metal seated screw down stop valve with rising stem, bolted bonnet. Raised face flanged connection.

APPLICATION: Aboard ships for hot and cold water, oil and steam. Start/stop and throttling of: Sea water, water, steam and oils etc. Suitable as sea direct.



DN 15~80
connection type



NO.	PART NAME	Material
1	Body	Nodular Cast Iron
2	Seat	Bronze
3	Disc ≤65	Bronze
	Disc ≥80	Nodular Cast Iron +Brass
4	Stem	Brass
5	Bonnet	Nodular Cast Iron
6	Packing	PTFE
7	Gland	Bronze
8	Bolt/Nut	Q235A
9	Agile	Brass
10	Handwheel	Cast iron

General Specification	
Face to Face	DIN 558
Design Std	DIN 86251
Flange Std	EN1092(DIN2501)
Test Std	EN 12266
Applicable temperature	≤200℃
Pressure rating	PN16(DN15~150)



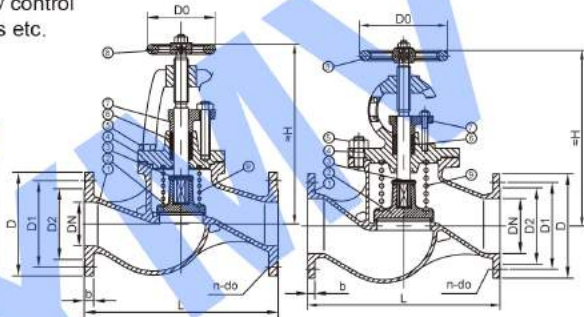
DN	L	≈H	H1	D	D1	D2	b	n	d0	D0
15	90	173	90	95	65	45	16	4	14	100
20	95	173	95	105	75	58	16	4	14	100
25	100	173	100	115	85	68	16	4	14	100
32	105	190	105	140	100	78	18	4	18	100
40	115	225	115	150	110	88	18	4	18	140
50	125	235	125	165	125	102	20	4	18	140
65	145	246	145	185	145	122	20	4	18	180
80	155	274	155	200	160	138	22	8	18	200
100	175	303	175	220	180	158	24	8	18	200
125	200	310	200	250	210	188	26	8	18	250
150	225	360	225	285	240	212	26	8	22	300

DESCRIPTION: Straight type, Rg5 body, metal seated screw down stop valve with rising stem, bolted bonnet. Raised face flanged.

APPLICATION: Start/stop and flow control of: Sea water, water, steam and oils etc. Suitable as sea direct.

DIN

NO.	PART NAME	Material
1	Body	Bronze
2	Disc	Bronze
3	Stem	Brass
4	Bonnet	Bronze
5	Bolt/Nut	SS
6	Packing	PTFE
7	Gland	Bronze
8	Handwheel	Cast iron



DN 15~80

DN 100~350

General Specification	
Face to Face	DIN 558
Design Std	DIN
Flange Std	EN1092(DIN2501)
Test Std	EN 12266
Applicable temperature	≤200°C
Pressure rating	PN16(DN15~150)
	PN10(DN200)
	PN6(DN250~300)
	PN4(DN350)



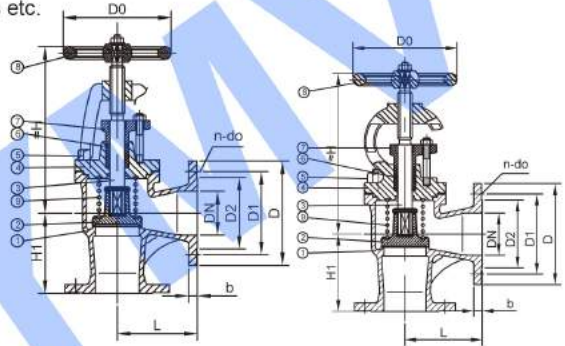
DN	L	≈H	D	D1	D2	b	n	d0	D0
15	130	140	95	65	45	12	4	14	100
20	150	145	105	75	58	12	4	14	100
25	160	162	115	85	68	14	4	14	100
32	180	170	140	100	78	15	4	18	100
40	200	180	150	110	88	16	4	18	140
50	230	195	165	125	102	17	4	18	140
65	290	245	185	145	122	17	4	18	180
80	310	270	200	160	138	19	8	18	200
100	350	370	220	180	158	20	8	18	200
125	400	425	250	210	188	24	8	18	250
150	480	480	285	240	212	25	8	22	300
200	600	620	340	295	268	25	8	22	300
250	730	640	395	350	320	29	12	22	400
300	850	720	445	400	370	26	12	22	400
350	980	900	505	460	430	33	16	22	500
400	1100	1000	565	515	482	31	16	26	560

DESCRIPTION: Angled type, Rg5 body, metal seated screw down stop valve with rising stem, bolted bonnet. Raised face flanged.

DIN

APPLICATION: Start/stop and flow control of: Sea water, water, steam and oils etc. Suitable as sea direct.

NO.	PART NAME	Material
1	Body	Bronze
2	Disc	Bronze
3	Stem	Brass
4	Bonnet	Bronze
5	Bolt/Nut	SS
6	Packing	PTFE
7	Gland	Bronze
8	Handwheel	Cast iron



DN 15~80

DN 100~350

General Specification	
Face to Face	DIN 558
Design Std	DIN
Flange Std	EN1092(DIN2501)
Test Std	EN 12266
Applicable temperature	≤200°C
Pressure rating	PN16(DN15~150)
	PN10(DN200)
	PN6(DN250~300)
	PN4(DN350)



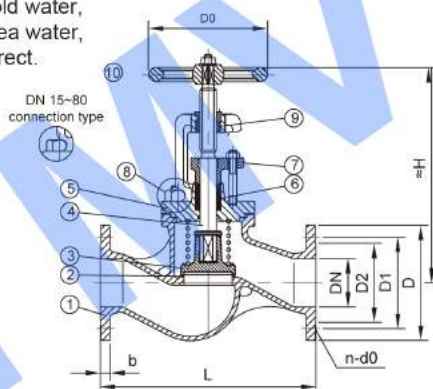
DN	L	≈H	H1	D	D1	D2	b	n	d0	D0
15	90	125	90	95	65	45	12	4	14	100
20	95	125	95	105	75	58	12	4	14	100
25	100	130	100	115	85	68	14	4	14	100
32	105	140	105	140	100	78	15	4	18	100
40	115	145	115	150	110	88	16	4	18	140
50	125	155	125	165	125	102	17	4	18	140
65	145	180	145	185	145	122	17	4	18	180
80	155	205	155	200	160	138	19	8	18	200
100	175	320	175	220	180	158	20	8	18	200
125	200	405	200	250	210	188	24	8	18	250
150	225	420	225	285	240	212	25	8	22	300
200	275	555	275	340	295	268	25	8	22	300
250	325	620	325	395	350	320	29	12	22	400
300	375	640	375	445	400	370	26	12	22	400
350	425	720	425	505	460	430	33	16	22	500

DESCRIPTION: Straight type, nodular cast iron body, metal seated screw down stop valve with rising stem, bolted bonnet. Raised face flanged connection.

APPLICATION: Aboard ships for hot and cold water, oil and steam. Start/stop and throttling of: Sea water, water, steam and oils etc. Suitable as sea direct.

DIN

NO.	PART NAME	Material
1	Body	Nodular Cast Iron
2	Seat	Bronze
3	Disc ≤65	Bronze
	Disc ≥80	Nodular Cast Iron +Brass
4	Stem	Brass
5	Bonnet	Nodular Cast Iron
6	Packing	PTFE
7	Gland	Bronze
8	Bolt/Nut	Q235A
9	Agile	Brass
10	Handwheel	Cast iron



General Specification	
Face to Face	DIN 558
Design Std	DIN 86251
Flange Std	EN1092(DIN2501)
Test Std	EN 12266
Applicable temperature	≤200°C
Pressure rating	PN16(DN15~150)

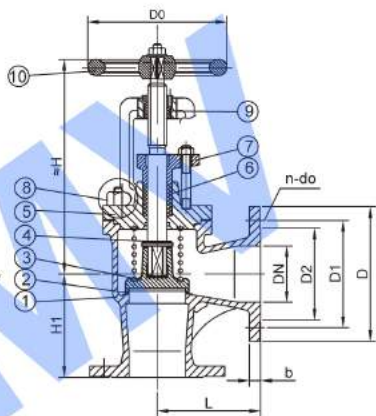
DN	L	≈H	D	D1	D2	b	n	d0	D0
15	130	165	95	65	45	16	4	14	100
20	150	165	105	75	58	16	4	14	100
25	160	175	115	85	68	16	4	14	100
32	180	180	140	100	78	18	4	18	100
40	200	220	150	110	88	18	4	18	140
50	230	230	165	125	102	20	4	18	140
65	290	245	185	145	122	20	4	18	180
80	310	295	200	160	138	22	8	18	200
100	350	330	220	180	158	24	8	18	200
125	400	365	250	210	188	26	8	18	250
150	480	420	285	240	212	26	8	22	300

DIN

DESCRIPTION: Angled type, nodular cast iron body, metal seated screw down stop valve with rising stem, bolted bonnet. Raised face flanged.

APPLICATION: Aboard ships for hot and cold water, oil and steam. Start/stop and throttling of: Sea water, water, steam and oils etc. Suitable as sea direct.

DN 15~80
connection type



NO.	PART NAME	Material
1	Body	Nodular Cast Iron
2	Seat	Bronze
3	Disc ≤65	Bronze
	Disc ≥80	Nodular Cast Iron +Brass
4	Stem	Brass
5	Bonnet	Nodular Cast Iron
6	Packing	PTFE
7	Gland	Bronze
8	Bolt/Nut	Q235A
9	Agile	Brass
10	Handwheel	Cast iron
11	Spring	SS

General Specification

Face to Face	DIN 558
Design Std	DIN 86251
Flange Std	EN1092(DIN2501)
Test Std	EN 12266
Applicable temperature	≤200°C
Pressure rating	PN16(DN15~150)

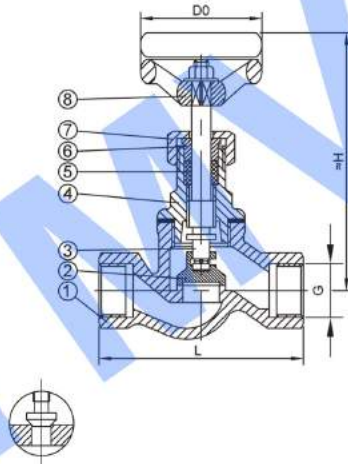


PN	DN	L	≈H	H1	D	D1	D2	b	n	d0	D0
10	15	90	173	90	95	65	45	16	4	14	100
	20	95	173	95	105	75	58	16	4	14	100
	25	100	173	100	115	85	68	16	4	14	100
	32	105	190	105	140	100	78	18	4	18	100
	40	115	225	115	150	110	88	18	4	18	140
	50	125	235	125	165	125	102	20	4	18	140
	65	145	246	145	185	145	122	20	4	18	180
	80	155	274	155	200	160	138	22	8	18	200
	100	175	303	175	220	180	158	24	8	18	200
	125	200	310	200	250	210	188	26	8	18	250
150	225	360	225	285	240	212	26	8	22	300	

DESCRIPTION: Straight type, Rg5 body, metal seated screw down stop valve with rising stem, screwed and secured bonnet. ISO 228 female thread.

APPLICATION: Stop and throttling of:
Sea water, water, oils and steam etc.

NO.	PART NAME	Material
1	Body	Bronze
2	DN≤32 Disc	Brass
	DN40,50 Disc	Bronze
3	Stem	Brass
4	Bonnet	Bronze
5	Packing	PTFE
6	Gland	Brass
7	Gland Nut	Brass
8	Handwheel	Cast iron



DN6-10 seal

General Specification	
Design Std	BS5154
Thread Std	ISO 228
Test Std	EN 12266
Nominal pressure	1.6MPa
Applicable temperature	≤200°C
Pressure rating	PN16



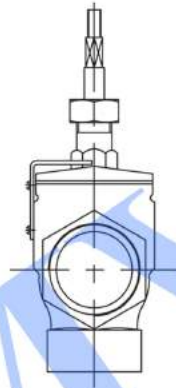
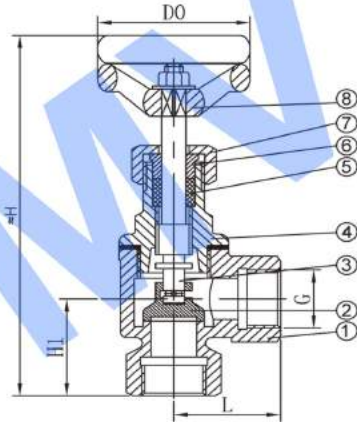
DN	L	≈H	G	D0
6	65	86	G 1/4 "	65
10	75	88	G 3/8 "	65
15	84	100	G 1/2 "	65
20	95	112	G 3/4 "	65
25	110	125	G 1 "	100
32	130	139	G 1-1/4 "	100
40	150	155	G 1-1/2 "	140
50	180	175	G 2 "	140

DESCRIPTION: Angled type, Rg5 body, metal seated screw down stop valve with rising stem, screwed and secured bonnet. ISO 228 female thread.

DIN

APPLICATION: Sea water, water and low pressure steam. Stop and flow throttling of: Sea water, water steam and oils etc.

NO.	PART NAME	Material
1	Body	Bronze
2	DN≤32 Disc	Brass
	DN40,50 Disc	Bronze
3	Stem	Brass
4	Bonnet	Bronze
5	Packing	PTFE
6	Gland	Brass
7	Gland Nut	Brass
8	Handwheel	Cast iron



General Specification	
Design Std	BS5154
Thread Std	ISO 228
Test Std	EN 12266
Nominal pressure	1.6MPa
Applicable temperature	≤200°C
Pressure rating	PN16

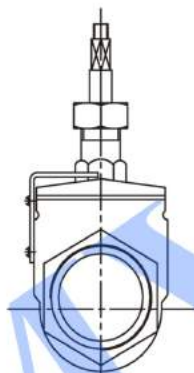
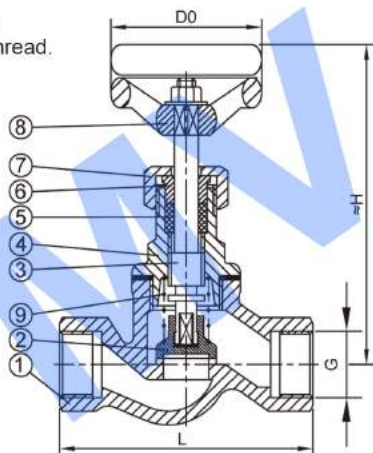
DN	L	≈H	H1	G	D0
15	35	125	35	G 1/2 "	65
20	40	143	40	G 3/4 "	65
25	45	158	45	G 1 "	100
32	54	176	54	G 1-1/4 "	100
40	65	220	65	G 1-1/2 "	140
50	80	283	80	G 2 "	140

DESCRIPTION: Straight type, Rg5 body, metal seated screw down stop valve with rising stem, screwed and secured bonnet. ISO 228 female thread.

APPLICATION: Stop and throttling of:
Sea water, water, oils and steam etc.

NO.	PART NAME	Material
1	Body	Bronze
2	DN≤32 Disc	Brass
	DN40,50 Disc	Bronze
3	Stem	Brass
4	Bonnet	Bronze
5	Packing	PTFE
6	Gland	Brass
7	Gland Nut	Brass
8	Handwheel	Cast iron
9	Spring	SS

General Specification	
Design Std	BS5154
Thread Std	ISO 228
Test Std	EN 12266
Nominal pressure	1.6MPa
Applicable temperature	≤200℃
Pressure rating	PN16



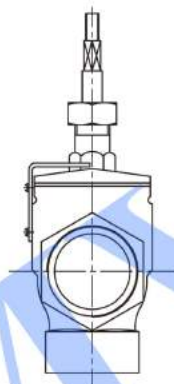
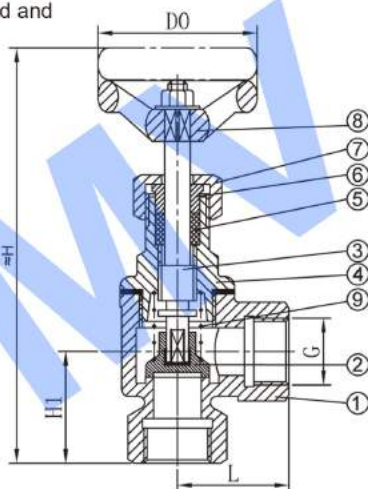
DN	L	≈H	G	D0
15	84	100	G 1/2 "	65
20	95	112	G 3/4 "	65
25	110	125	G 1 "	100
32	130	139	G 1-1/4 "	100
40	150	155	G 1-1/2 "	140
50	180	175	G 2 "	140

DIN

DESCRIPTION: Angled type, Rg5 body, metal seated screw down stop valve with rising stem, screwed and secured bonnet. ISO 228 female thread.

APPLICATION: Sea water, water and low pressure steam. Stop and flow throttling of. Sea water, water steam and oils etc.

NO.	PART NAME	Material
1	Body	Bronze
2	DN≤32 Disc	Brass
	DN40,50 Disc	Bronze
3	Stem	Brass
4	Bonnet	Bronze
5	Packing	PTFE
6	Gland	Brass
7	Gland Nut	Brass
8	Handwheel	Cast iron
9	Spring	SS



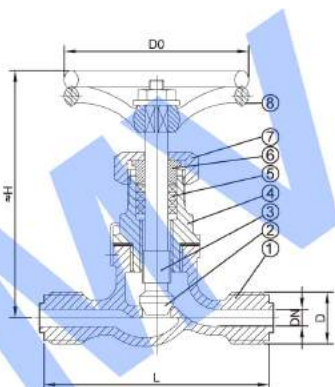
General Specification	
Design Std	BS5154
Thread Std	ISO 228
Test Std	EN 12266
Nominal pressure	1.6MPa
Applicable temperature	≤200°C
Pressure rating	PN16

DN	L	≈H	H1	G	D0
15	35	125	35	G 1/2 "	65
20	40	143	40	G 3/4 "	65
25	45	158	45	G 1 "	100
32	54	176	54	G 1-1/4 "	100
40	65	220	65	G 1-1/2 "	140
50	80	283	80	G 2 "	140

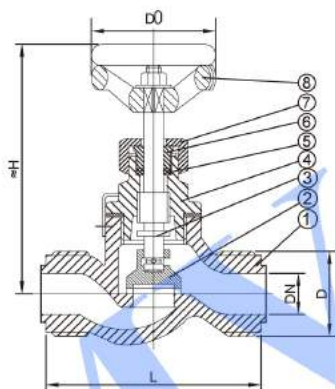
DESCRIPTION: Straight type, Rg5 body, metal seated screw down stop valve with rising stem, screwed and secured bonnet, GOST 2822 male thread.

APPLICATION: Sea water, water and low pressure steam. Stop and flow throttling of: Sea water, water, steam and oils etc.

DIN



DN 6~10



DN 15~32

NO.	PART NAME	Material
1	Body	Bronze
2	Disc	Brass
3	Stem	Brass
4	Bonnet	Bronze
5	Packing	PTFE
6	Gland	Brass
7	Gland Nut	Brass
8	Handwheel	Cast iron

General Specification	
Design Std	BS5154
Thread Std	GOST 2822
Test Std	EN 12266
Nominal pressure	1.6MPa
Applicable temperature	≤200℃
Pressure rating	PN16

DN	L	≈H	D	D0
6	78	90	M18X1.5	65
10	80	90	M22X1.5	65
15	95	100	M30X2	65
20	110	112	M36X2	65
25	125	128	M42X2	100
32	145	136	M48X2	100

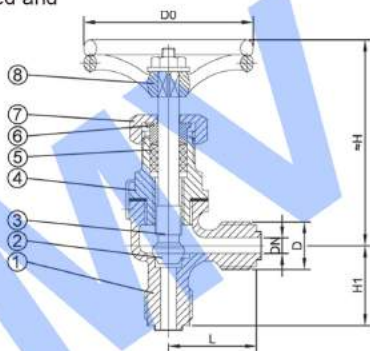
DIN

DESCRIPTION: Angled type, Rg5 body, metal seated screw down stop valve with rising stem, screwed and secured bonnet. GOST 2822 male thread.

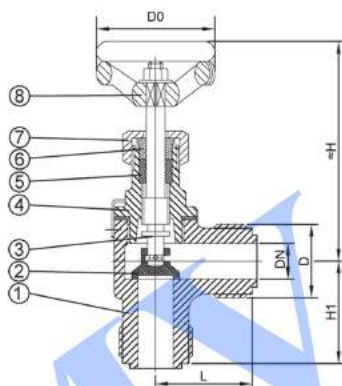
APPLICATION: Sea water, water and low pressure steam. Stop and flow throttling of. Sea water, water, steam and oils etc.

NO.	PART NAME	Material
1	Body	Bronze
2	Disc	Brass
3	Stem	Brass
4	Bonnet	Bronze
5	Packing	PTFE
6	Gland	Brass
7	Gland Nut	Brass
8	Handwheel	Cast iron

General Specification	
Design Std	BS5154
Thread Std	GOST 2822
Test Std	EN 12266
Nominal pressure	1.6MPa
Applicable temperature	≤200℃
Pressure rating	PN16



DN 6~10



DN 15~32

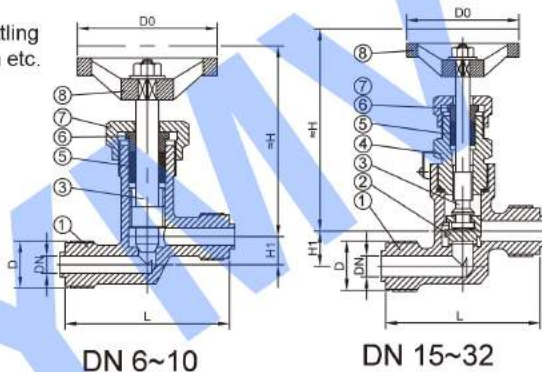
DN	L	≈H	H1	D	D0
6	34	77	32	M18X1.5	65
10	34	78	32	M22X1.5	65
15	46	91	40	M30X2	65
20	49	100	44	M36X2	65
25	53	113	48	M42X2	100
32	58	121	56	M48X2	100

DESCRIPTION: Straight type, Rg5 body, metal seated screw down stop valve with rising stem, screwed and secured bonnet. GOST 2822 male thread.

DIN

APPLICATION: Stop and flow throttling of: Sea water, water, oils and steam etc.

NO.	PART NAME	Material
1	Body	Bronze
2	Disc	Brass
3	Stem	Brass
4	Bonnet	Bronze
5	Packing	PTFE
6	Gland	Brass
7	Gland Nut	Brass
8	Handwheel	Cast iron



General Specification	
Design Std	BS5154
Thread Std	GOST 2822
Test Std	EN 12266
Nominal pressure	4.0/10.0MPa
Applicable temperature	≤200°C
Pressure rating	PN40,PN100



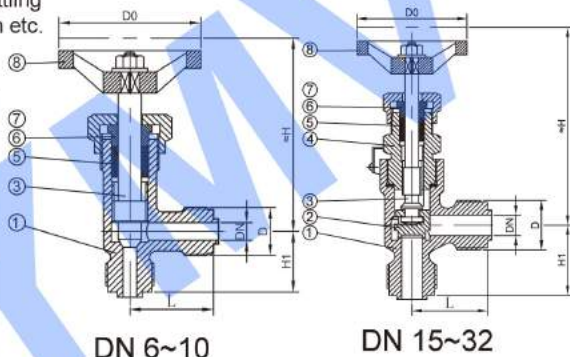
PN	DN	L	≈H	H1	D	D0
40	15	110	144	25	M36X2	100
	20	116	154	32	M39X2	100
	25	130	168	38	M48X2	140
	32	140	190	46	M56X2	140
100	6	74	90	12	M22X1.5	65
	10	94	109	16	M27X1.5	80
	15	120	155	27	M36X2	140
	20	134	185	32	M39X2	140
	25	134	195	38	M48X2	140
	32	146	210	46	M56X2	140

DESCRIPTION: Angled type, Rg5 body, metal seated screw down stop valve with rising stem, screwed and secured bonnet. GOST 2822 male thread.

DIN

APPLICATION: Stop and flow throttling of: Sea water, water, oils and steam etc.

NO.	PART NAME	Material
1	Body	Bronze
2	Disc	Brass
3	Stem	Brass
4	Bonnet	Bronze
5	Packing	PTFE
6	Gland	Brass
7	Gland Nut	Brass
8	Handwheel	Cast iron



General Specification	
Design Std	BS5154
Thread Std	GOST 2822
Test Std	EN 12266
Nominal pressure	4.0/10.0MPa
Applicable temperature	≤200℃
Pressure rating	PN40,PN100



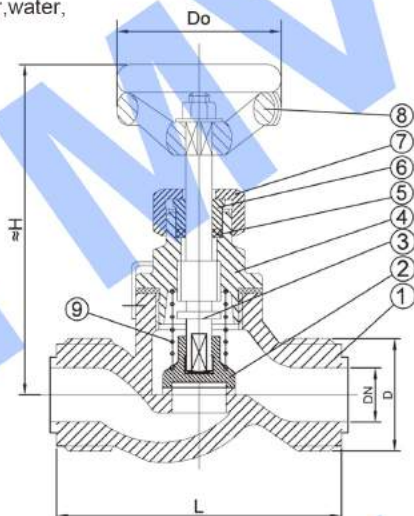
PN	DN	L	≈H	H1	D	D0
40	15	55	144	52	M36X2	100
	20	58	154	55	M39X2	100
	25	65	168	64	M48X2	140
	32	70	190	72	M56X2	140
100	6	37	90	32	M22X1.5	65
	10	47	109	38	M27X1.5	80
	15	60	155	52	M36X2	140
	20	67	185	55	M39X2	140
	25	67	195	64	M48X2	140
	32	73	210	75	M56X2	140

DESCRIPTION: Straight type, Rg5 body, metal seated screw down stop valve with rising stem, screwed and secured bonnet. GOST 2822 male thread.

DIN

APPLICATION: Sea water, water and low pressure steam. Stop and flow throttling of: Sea water, water, steam and oils etc.

NO.	PART NAME	Material
1	Body	Bronze
2	Disc	Brass
3	Stem	Brass
4	Bonnet	Bronze
5	Packing	PTFE
6	Gland	Brass
7	Gland Nut	Brass
8	Handwheel	Cast iron
9	Spring	SS



General Specification	
Design Std	BS5154
Thread Std	GOST 2822
Test Std	EN 12266
Nominal pressure	1.6MPa
Applicable temperature	≤200°C
Pressure rating	PN16

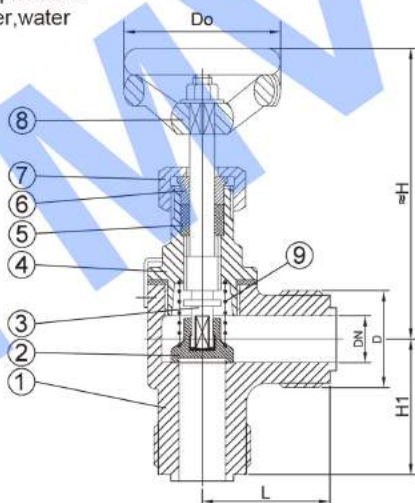
DN	L	≈H	D	D0
15	95	100	M30X2	50
20	110	112	M36X2	65
25	125	128	M42X2	80
32	145	136	M48X2	80

DIN

DESCRIPTION: Angled type, Rg5 body, metal seated screw down stop valve with rising stem, screwed and secured bonnet. GOST 2822 male thread.

APPLICATION: Sea water, water and low pressure steam. Stop and flow throttling of: Sea water, water steam and oils etc.

NO.	PART NAME	Material
1	Body	Bronze
2	Disc	Brass
3	Stem	Brass
4	Bonnet	Bronze
5	Packing	PTFE
6	Gland	Brass
7	Gland Nut	Brass
8	Handwheel	Cast iron
9	Spring	SS



General Specification

Design Std	BS5154
Thread Std	GOST 2822
Test Std	EN 12266
Nominal pressure	1.6MPa
Applicable temperature	≤200°C
Pressure rating	PN16

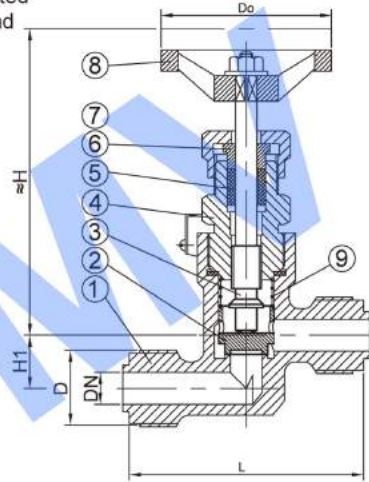
DN	L	≈H	H1	D	D0
15	46	91	40	M30X2	50
20	49	100	44	M36X2	65
25	53	113	48	M42X2	80
32	58	121	56	M48X2	80

DESCRIPTION: Straight type, Rg5 body, metal seated screw down stop valve with rising stem, screwed and secured bonnet. GOST 2822 male thread.

APPLICATION: Stop and flow throttling of:
Sea water, water, oils and steam etc.

DIN

NO.	PART NAME	Material
1	Body	Bronze
2	Disc	Brass
3	Stem	Brass
4	Bonnet	Bronze
5	Packing	PTFE
6	Gland	Brass
7	Gland Nut	Brass
8	Handwheel	Cast iron
9	Spring	SS



General Specification	
Design Std	BS5154
Thread Std	GOST 2822
Test Std	EN 12266
Nominal pressure	4.0/10.0MPa
Applicable temperature	≤200°C
Pressure rating	PN40,PN100



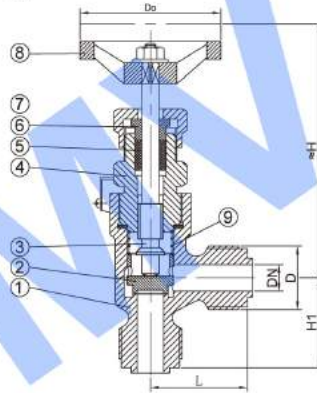
PN	DN	L	≈H	H1	D	D0
40	10	94	109	16	M27X1.5	80
	15	110	144	25	M36X2	100
	20	116	154	32	M39X2	100
	25	130	168	38	M48X2	140
	32	140	190	46	M56X2	140
100	15	120	155	27	M36X2	140
	20	134	185	32	M39X2	140
	25	134	195	38	M48X2	140
	32	146	210	46	M56X2	140

DESCRIPTION: Angled type, Rg5 body, metal seated screw down stop valve with rising stem, screwed and secured bonnet. GOST 2822 male thread.

DIN

APPLICATION: Stop and flow throttling of: Sea water, water, oils and steam etc.

NO.	PART NAME	Material
1	Body	Bronze
2	Disc	Brass
3	Stem	Brass
4	Bonnet	Bronze
5	Packing	PTFE
6	Gland	Brass
7	Gland Nut	Brass
8	Handwheel	Cast iron
9	Spring	SS



General Specification	
Design Std	BS5154
Thread Std	GOST 2822
Test Std	EN 12266
Nominal pressure	4.0/10.0MPa
Applicable temperature	≤200°C
Pressure rating	PN40,PN100

PN	DN	L	H	H1	D	D0
40	10	47	109	38	M27X1.5	80
	15	55	144	52	M36X2	100
	20	58	154	55	M39X2	100
	25	65	168	64	M48X2	140
	32	70	190	72	M56X2	140
100	15	60	155	52	M36X2	140
	20	67	185	55	M39X2	140
	25	67	195	64	M48X2	140
	32	73	210	75	M56X2	140

DESCRIPTION: Straight type, Rg5 body, metal seated spring loaded lift check valve. Raised face flanged.

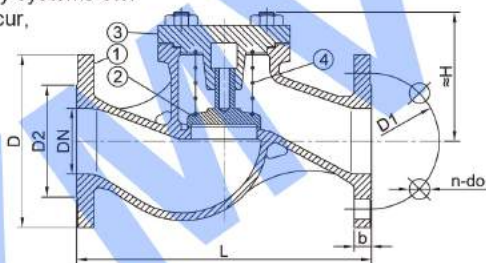
APPLICATION: Sea water, fresh water and waste water. Preventing backflow in sea water, sanitary systems etc. Suitable when rapid flow reversal can occur, to prevent hammering.

DN 15-80
connection type



DIN

NO.	PART NAME	Material
1	Body	Bronze
2	Disc	Bronze
3	Bonnet	Bronze
4	Spring	SS



General Specification	
Face to Face	DIN 558
Design Std	DIN 86262
Flange Std	EN1092(DIN2501)
Test Std	EN 12266
Applicable temperature	≤200°C
Pressure rating	PN16(DN15~150)



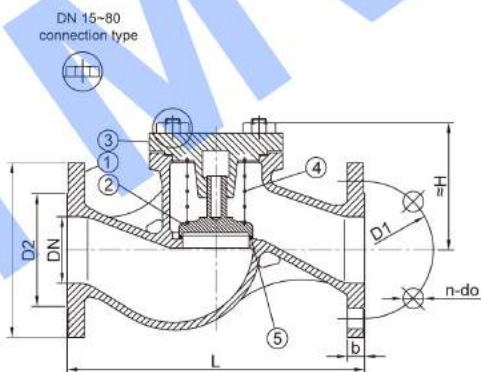
DN	L	≈H	D	D1	D2	b	n	d0
15	130	84	95	65	45	12	4	14
20	150	84	105	75	58	12	4	14
25	160	84	115	85	68	14	4	14
32	180	90	140	100	78	15	4	18
40	200	101	150	110	88	16	4	18
50	230	110	165	125	102	17	4	18
65	290	136	185	145	122	17	4	18
80	310	158	200	160	138	19	8	18
100	350	170	220	180	158	20	8	18
125	400	180	250	210	188	24	8	18
150	480	200	285	240	212	25	8	22

DIN

DESCRIPTION: Straight type, nodular cast iron body, metal seated spring loaded lift check valve. Raised face flanged.

APPLICATION: Cold and hot water, gases, steam and other neutral liquids. Preventing backflow in air, steam, water and oil systems etc. Suitable when rapid flow reversal can occur, to prevent hammering.

NO.	PART NAME	Material
1	Body	Nodular Cast Iron
3	Disc ≤65	Bronze
	Disc ≥80	Nodular Cast Iron +Brass
3	Bonnet	Nodular Cast Iron
4	Spring	SS
5	Seat	Bronze



General Specification

Face to Face	DIN 558
Design Std	DIN 86251
Flange Std	EN1092(DIN2501)
Test Std	EN 12266
Applicable temperature	≤200°C
Pressure rating	PN16(DN15~150)

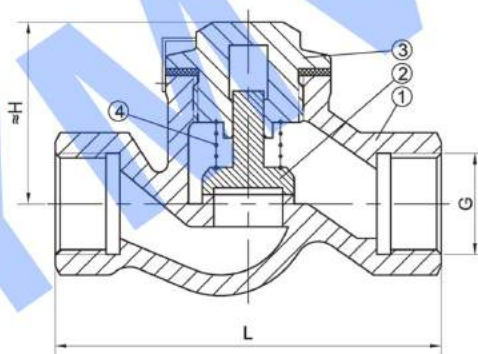
DN	L	≈H	D	D1	D2	b	n	d0
15	130	84	95	65	45	12	4	14
20	150	84	105	75	58	12	4	14
25	160	84	115	85	68	14	4	14
32	180	90	140	100	78	15	4	18
40	200	101	150	110	88	16	4	18
50	230	110	165	125	102	17	4	18
65	290	136	185	145	122	17	4	18
80	310	158	200	160	138	19	8	18
100	350	170	220	180	158	20	8	18
125	400	180	250	210	188	24	8	18
150	480	200	285	240	212	25	8	22

DESCRIPTION: Straight type, Rg5 body, metal seated lift check valve. ISO 228 female thread.

DIN

APPLICATION: Preventing backflow in air, steam, water, sea water and oil systems etc. Suitable when rapid flow reversal can occur, to prevent hammering.

NO.	PART NAME	Material
1	Body	Bronze
2	DN≤32 Disc	Brass
	DN40,50 Disc	Bronze
3	Bonnet	Bronze
4	Spring	SS



General Specification	
Design Std	BS5154
Thread Std	ISO 228
Test Std	EN 12266
Nominal pressure	1.6MPa
Applicable temperature	≤200°C
Pressure rating	PN16

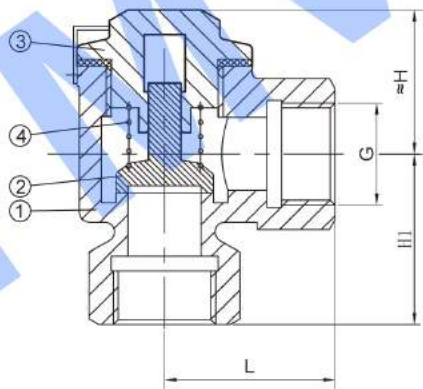
DN	L	H	G
15	84	46	G 1/2 "
20	95	52	G 3/4 "
25	110	57	G 1 "
32	130	64	G 1-1/4 "
40	150	72	G 1-1/2 "
50	180	80	G 2 "

DESCRIPTION: Angled type, Rg5 body, metal seated lift check valve. ISO 228 female thread.

DIN

APPLICATION: Preventing backflow in air, steam, water, sea water and oil systems etc. Suitable when rapid flow reversal can occur, to prevent hammering.

NO.	PART NAME	Material
1	Body	Bronze
2	DN≤32 Disc	Brass
	DN40,50 Disc	Bronze
3	Bonnet	Bronze
4	Spring	SS



General Specification	
Design Std	BS5154
Thread Std	ISO 228
Test Std	EN 12266
Nominal pressure	1.6MPa
Applicable temperature	≤200°C
Pressure rating	PN16

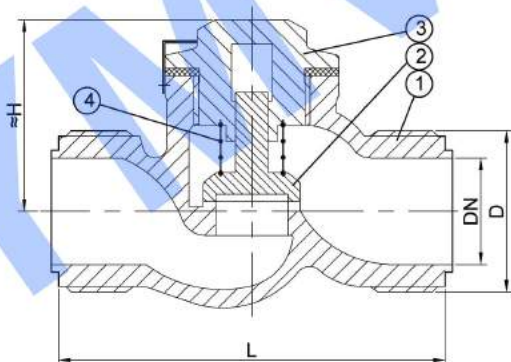
DN	L	H	H1	G
15	35	46	35	G 1/2 "
20	40	52	40	G 3/4 "
25	45	57	45	G 1 "
32	54	64	54	G 1-1/4 "
40	65	72	65	G 1-1/2 "
50	80	80	80	G 2 "

DESCRIPTION: Straight type, Rg5 body, metal seated check valve. GOST 2822 male thread.

DIN

APPLICATION: Preventing backflow in air, steam, water, sea water and oil systems etc. Suitable when rapid flow reversal can occur, to prevent hammering.

NO.	PART NAME	Material
1	Body	Bronze
2	Disc	Brass
3	Bonnet	Bronze
4	Spring	SS



General Specification	
Design Std	BS5154
Thread Std	ISO 228
Test Std	EN 12266
Nominal pressure	1.6MPa
Applicable temperature	≤200°C
Pressure rating	PN16

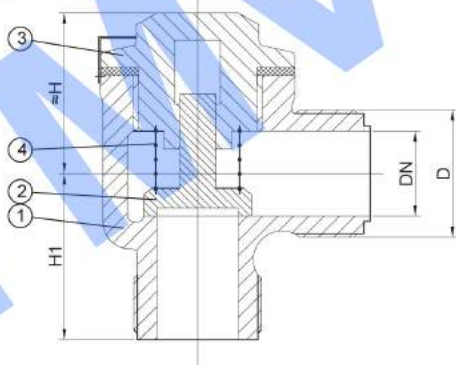
DN	L	H	D
15	95	37	M30X2
20	110	43	M36X2
25	125	54	M42X2
32	145	64	M48X2

DESCRIPTION: Angled type, Rg5 body, metal seated check valve. GOST 2822 male thread.

DIN

APPLICATION: Preventing backflow in air, steam, water, sea water and oil systems etc. Suitable when rapid flow reversal can occur, to prevent hammering

NO.	PART NAME	Material
1	Body	Bronze
2	Disc	Brass
3	Bonnet	Bronze
4	Spring	SS



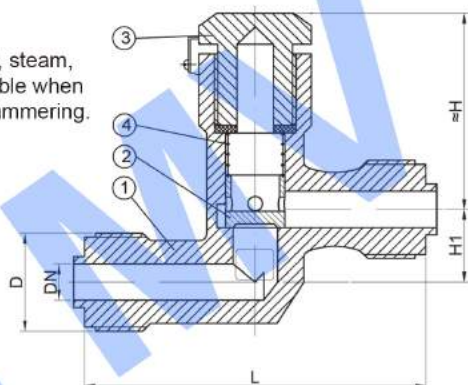
General Specification	
Design Std	BS5154
Thread Std	GOST 2822
Test Std	EN 12266
Nominal pressure	1.6MPa
Applicable temperature	≤200°C
Pressure rating	PN16

DN	L	≈H	H1	D
15	42	34	37	M30X2
20	47	36	42	M36X2
25	53	40	48	M42X2
32	58	47	56	M48X2

DESCRIPTION: Straight type, Rg5 body, metal seated check valve with GOST 2822 male thread.

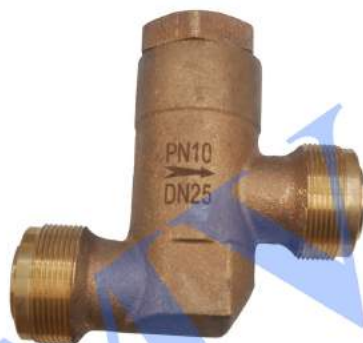
APPLICATION: Preventing backflow in air, steam, water, sea water and oil systems etc. Suitable when rapid flow reversal can occur, to prevent hammering.

NO.	PART NAME	Material
1	Body	Bronze
2	Disc	Brass
3	Bonnet	Bronze
4	Spring	SS



DIN

General Specification	
Design Std	BS5154
Thread Std	GOST 2822
Test Std	EN 12266
Nominal pressure	4.0MPa
Applicable temperature	≤200°C
Pressure rating	PN40

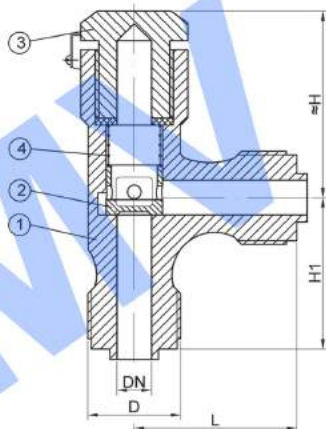


DN	L	H	H1	D
10	94	54	20	M27X1.5
15	110	61	25	M36X2
20	116	65	32	M39X2
25	130	70	38	M48X2
32	140	84	46	M56X2

DESCRIPTION: Angled type, Rg5 body, metal seated check valve with GOST 2822 male thread.

DIN

APPLICATION: Preventing backflow in air, steam, water, sea water and oil systems etc. Suitable when rapid flow reversal can occur, to prevent hammering.



NO.	PART NAME	Material
1	Body	Bronze
2	Disc	Brass
3	Bonnet	Bronze
4	Spring	SS

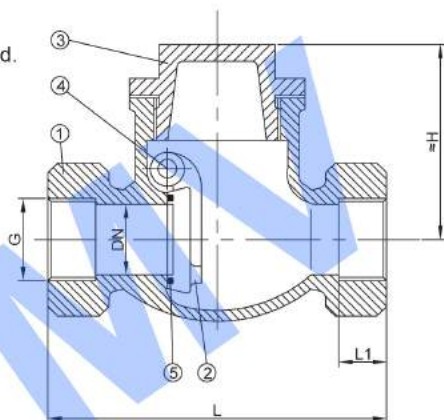
General Specification	
Design Std	BS5154
Thread Std	GOST 2822
Test Std	EN 12266
Nominal pressure	4.0MPa
Applicable temperature	≤200°C
Pressure rating	PN40



DN	L	H	H1	D
10	47	54	41	M27X1.5
15	55	61	52	M36X2
20	58	65	55	M39X2
25	65	70	64	M48X2
32	70	84	72	M56X2

DESCRIPTION: Straight type, Rg5 body, metal seated swing check valve. ISO 228 female thread.

APPLICATION: Preventing backflow in air, water, sea water and oil systems etc. Suitable for vertical installation.



DIN

NO.	PART NAME	Material
1	Body	Bronze
2	Disc	Bronze
3	Bonnet	Bronze
4	Arm	Brass
5	Seal	NBR

General Specification	
Design Std	
Thread Std	ISO 228
Test Std	EN 12266
Nominal pressure	1.0MPa
Applicable temperature	≤100°C
Pressure rating	PN10



DN	L	≈H	G
10	60	38	G 3/8 "
15	60	38	G 1/2 "
20	70	49	G 3/4 "
25	80	55	G 1 "
32	95	59	G 1-1/4 "
40	105	69	G 1-1/2 "
50	130	78	G 2 "
65	160	94	G 2-1/2 "
80	184	130	G 3 "
100	215	150	G 4 "

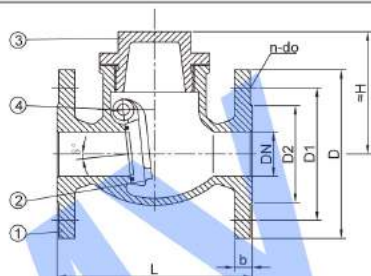
DIN

DESCRIPTION: Straight type, Rg5 body, full bore metal seated swing check valve. Raised face flanged.

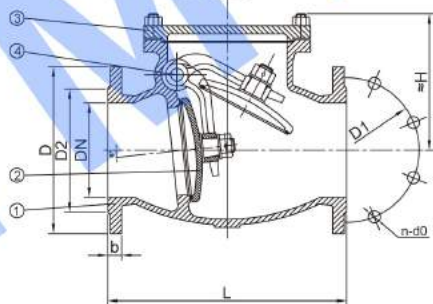
APPLICATION: Preventing backflow in water, sea water and oil systems etc.

NO.	PART NAME	Material
1	Body	Bronze
2	Disc	Bronze
3	Bonnet	Bronze
4	Plug	Brass
5	Seal	NBR

General Specification	
Face to Face	DIN 558
Design Std	DIN
Flange Std	EN1092(DIN2501)
Test Std	EN 12266
Applicable temperature	≤100°C
Pressure rating	PN16



DN 15-65



DN 80-150



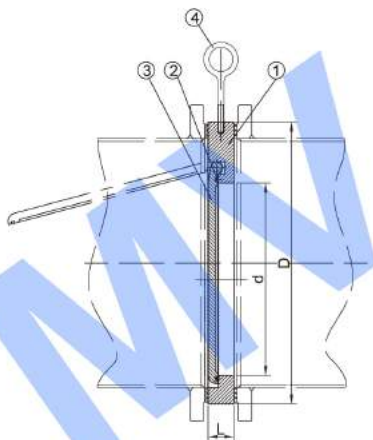
DN	L	≈H	D	D1	D2	b	n	do
15	100	55	95	65	45	10	4	14
20	110	65	105	75	58	10	4	14
25	110	69	115	85	68	10	4	14
32	130	90	140	100	78	12	4	18
40	140	95	150	110	88	12	4	18
50	160	109	165	125	102	14	4	18
65	200	120	185	145	122	17	4	18
80	250	145	200	160	138	19	8	18
100	300	152	220	180	158	20	8	18
125	350	165	250	210	188	22	8	18
150	400	190	285	240	212	22	8	22

DESCRIPTION: Wafer type Al bronze swing check valve with NBR soft sealing.

APPLICATION: Preventing backflow in water and sea water systems etc.

DIN

NO.	PART NAME	Material
1	Body	AL-Bronze
2	O-Ring	NBR
3	Disc	AL-Bronze
4	Rings	SS



General Specification	
Design Std	
Flange Std	
Test Std	EN 12266
Applicable temperature	≤100°C
Pressure rating	PN10

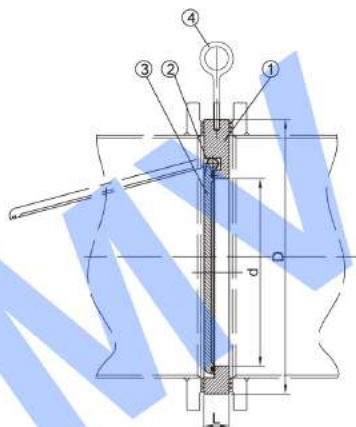


DN	L	d	D
50	14	26	108
65	14	36	128
80	14	48	144
100	18	68	164
125	18	86	194
150	20	105	220
200	29	140	275
250	29	178	330
300	38	218	380
350	41	260	440
400	51	306	490
450	51	358	535
500	61	398	596
600	64	475	696

DESCRIPTION: Wafer type nodular cast iron swing check valve with NBR soft sealing.

DIN

APPLICATION: Preventing backflow in water and sea water systems etc.



NO.	PART NAME	Material
1	Body	Nodular Cast Iron
2	O-Ring	NBR
3	Disc	Bronze
4	Rings	SS

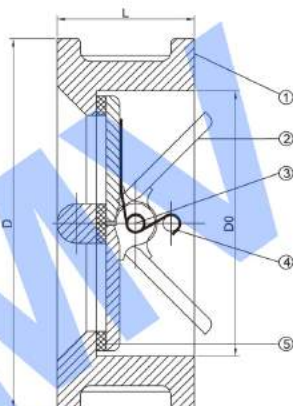
General Specification	
Design Std	
Flange Std	
Test Std	EN 12266
Applicable temperature	≤100°C
Pressure rating	PN10



DN	L	d	D
50	14	26	108
65	14	36	128
80	14	48	144
100	18	68	164
125	18	86	194
150	20	105	220
200	29	140	275
250	29	178	330
300	38	218	380
350	41	260	440
400	51	306	490
450	51	358	535
500	61	398	596
600	64	475	696

DESCRIPTION: Wafer type, NBR lined bronze body, spring tensioned dual check valve with soft sealing bronze plates.

APPLICATION: Preventing backflow in water, sea water and oil systems etc.



DIN

NO.	PART NAME	Material
1	Body	Bronze
2	Valve clack	Bronze
3	Clack shaft	SS
4	Spring	Spring steel
5	Seal	NBR

General Specification	
Face to Face	ISO 5752
Design Std	API 594
Test Std	EN 12266
Applicable temperature	≤100°C
Pressure rating	PN16

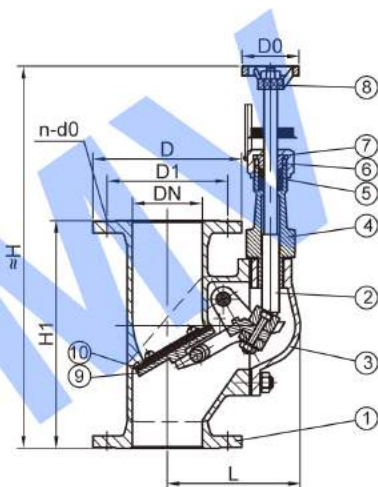


DN	L	D	D0
50	43	107	65
65	46	127	80
80	64	142	94
100	64	162	117
125	70	192	145
150	76	218	170
200	89	273	224
250	114	328	265
300	114	378	310
350	127	438	360
400	140	489	410
450	152	539	450
500	152	594	505
600	178	690	624
700	229	800	720

DIN

DESCRIPTION: Straight type closable check valve. Rg5 body. Metal seated disc. Raised face PN6 flanged.

APPLICATION: Ship side valve for discharge from various sanitary systems. Preventing sea water from entering the piping system. Manually closable at e.g. dry docking. Sanitary piping systems which have a ship's side exit.



NO.	PART NAME	Material
1	Body	Bronze
2	Stem	Brass
3	Bonnet	Bronze
4	Sleeve	Bronze
5	Packing	PTFE
6	Gland	Brass
7	Nut	Brass
8	Handwheel	Cast iron
9	Disc	Bronze
10	Seal	NBR

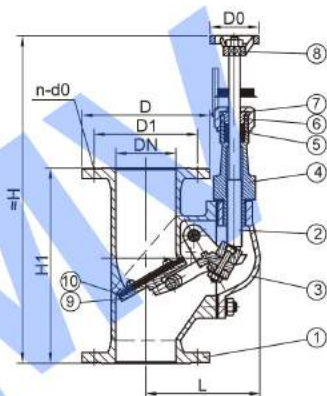
General Specification	
Face to Face	
Design Std	DIN
Flange Std	EN1092(DIN2501) PN6
Test Std	EN 12266
Applicable temperature	≤100°C
Pressure rating	PN4(DN50~150)



DN	≈L	≈H	H1	D	D1	n	d0	D0
50	140	400	210	140	110	4	14	100
65	142	425	240	160	130	4	14	100
80	155	440	260	190	150	4	18	100
100	172	470	280	210	170	4	18	100
125	195	510	330	240	200	8	18	100
150	213	545	360	265	225	8	18	140

DESCRIPTION: Straight type closable check valve.
Nodular cast iron body. Metal seated disc. Raised face PN6 flanged.

APPLICATION: Sanitary piping systems which have a ship's side exit. Ship side valve for discharge from various sanitary systems. Preventing sea water from entering the piping system. Manually closable at e.g. dry docking.



DIN

NO.	PART NAME	Material
1	Body	Nodular Cast Iron
2	Stem	Brass
3	Bonnet	Nodular Cast Iron
4	Sleeve	Bronze
5	Packing	PTFE
6	Gland	Brass
7	Nut	Brass
8	Handwheel	Cast iron
9	Disc	Bronze
10	Seal	NBR

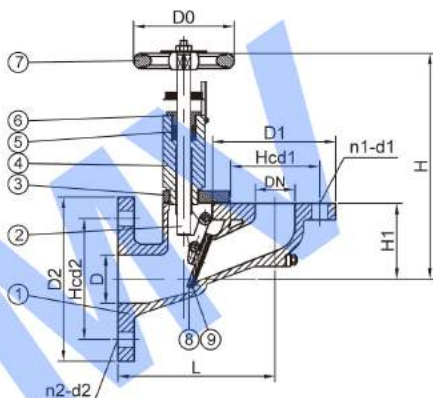
General Specification	
Face to Face	
Design Std	DIN
Flange Std	EN1092(DIN2501) PN6
Test Std	EN 12266
Applicable temperature	≤100°C
Pressure rating	PN4(DN50~150)

DN	≈L	≈H	H1	D	D1	n	d0	D0
50	140	400	210	140	110	4	14	100
65	142	425	240	160	130	4	14	100
80	155	440	260	190	150	4	18	100
100	172	470	280	210	170	4	18	100
125	195	510	330	240	200	8	18	100
150	213	545	360	265	225	8	18	140

DIN

DESCRIPTION: Angled type closable check valve. Rg5 body. Metal seated disc. Flat face PN10 flanged. Different inlet/outlet diameter.

APPLICATION: Sanitary piping systems which have a ship's side exit. Ship side valve for discharge from various sanitary systems. Preventing sea water from entering the piping system. Manually closable at e.g. dry docking.



NO.	PART NAME	Material
1	Body	Bronze
2	Stem	Brass
3	Bonnet	Bronze
4	Sleeve	Brass
5	Packing	PTFE
6	Gland	Brass
7	Handwheel	Cast iron
8	Disc	Bronze
9	Seal	NBR

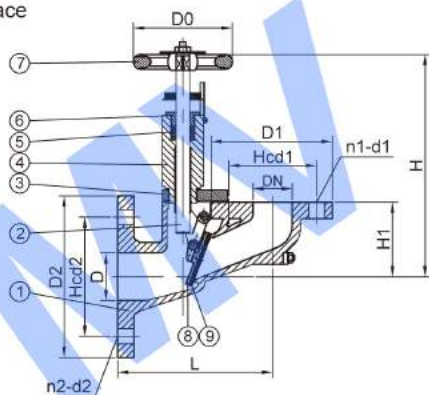
General Specification	
Face to Face	DIN HNA Sr 6
Design Std	DIN HNA Sr 6 Form B
Flange Std	EN1092(DIN2501) PN10
Test Std	EN 12266
Applicable temperature	≤100°C
Pressure rating	PN4(DN50-250)



DN	L	≈H	H1	D1	Hcd1	n1	d1	D	D2	Hcd2	n2	d2	D0
50	180	335	90	165	125	4	18	70	200	160	8	18	140
65	200	345	100	185	145	4	18	85	220	180	8	18	140
80	215	360	108	200	160	8	18	100	250	210	8	18	140
100	250	370	130	220	180	8	18	130	285	240	8	22	140
125	290	460	152	250	210	8	18	158	340	295	8	22	180
150	330	490	176	285	240	8	22	190	395	350	12	22	180
200	425	580	180	340	295	8	22	240	445	400	12	22	180
250	630	730	300	395	350	12	22	300	505	460	16	22	200

DESCRIPTION: Angled type closable check valve. Nodular cast iron body. Metal seated disc. Flat face PN10 flanged. Different inlet/outlet diameter.

APPLICATION: Sanitary piping systems which have a ship's side exit. Ship side valve for discharge from various sanitary systems. Preventing sea water from entering the piping system. Manually closable at e.g. dry docking.



DIN

NO.	PART NAME	Material
1	Body	Nodular Cast Iron
2	Stem	Brass
3	Bonnet	Nodular Cast Iron
4	Sleeve	Brass
5	Packing	PTFE
6	Gland	Brass
7	Handwheel	Cast iron
8	Disc	Bronze
9	Seal	NBR



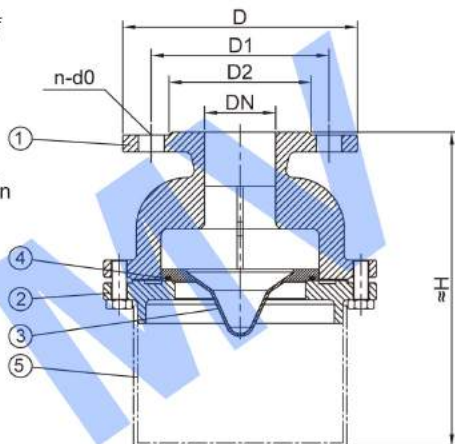
General Specification	
Face to Face	DIN HNA Sr 6
Design Std	DIN HNA Sr 6 Form B
Flange Std	EN1092(DIN2501) PN10
Test Std	EN 12266
Applicable temperature	≤100°C
Pressure rating	PN4(DN50-250)

DN	L	≈H	H1	D1	Hcd1	n1	d1	D	D2	Hcd2	n2	d2	D0
50	180	335	90	165	125	4	18	70	200	160	8	18	140
65	200	345	100	185	145	4	18	85	220	180	8	18	140
80	215	360	108	200	160	8	18	100	250	210	8	18	140
100	250	370	130	220	180	8	18	130	285	240	8	22	140
125	290	460	152	250	210	8	18	158	340	295	8	22	180
150	330	490	176	285	240	8	22	190	395	350	12	22	180
200	425	580	180	340	295	8	22	240	445	400	12	22	180
250	630	730	300	395	350	12	22	300	505	460	16	22	200

DIN

DESCRIPTION: Rg5 body, combination of screend suction inlet and soft sealing disc check valve. Raised face flanged.

APPLICATION: Water and natural liquids. Tank bottom suction for a wide range of non aggressive medias.



NO.	PART NAME	Material
1	Body	Bronze
2	Bonnet	Bronze
3	Disc	Bronze
4	Seal	NBR
5	Filter	SS

General Specification	
Face to Face	
Design Std	DIN
Flange Std	EN1092(DIN2501)
Test Std	EN 12266
Applicable temperature	≤100°C
Pressure rating	PN10



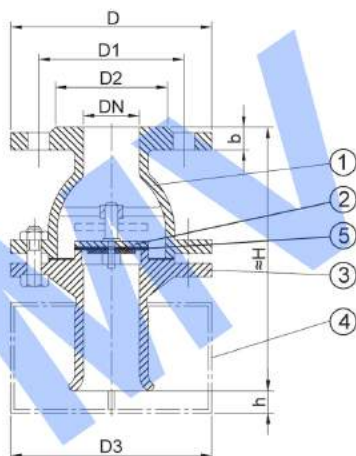
DN	H	D	D1	D2	n	d0
40	230	150	110	88	4	18
50	230	165	125	102	4	18
65	280	185	145	122	4	18
80	300	200	160	138	8	18
100	315	220	180	158	8	18

DESCRIPTION: Rg5 body, combination of screen suction inlet and soft sealing disc check valve. Raised face flanged.

APPLICATION: Water and natural liquids, sea water and oil etc.

DIN

NO.	PART NAME	Material
1	Body	Bronze
2	Disc	Bronze
3	Bonnet	Bronze
4	Filter	SS
5	Seal	NBR



General Specification	
Face to Face	
Design Std	
Flange Std	EN1092(DIN2501) PN6
Test Std	EN 12266
Applicable temperature	≤100°C
Pressure rating	PN6



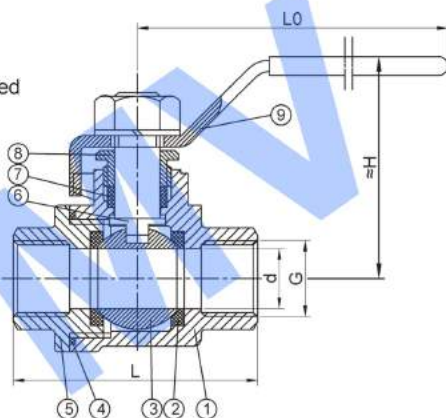
DN	≈H	h	D3	D	D1	D2	n	d0	b
32	150	12	103	120	90	70	4	14	15
40	170	15	124	130	100	80	4	14	16
50	194	18	134	140	110	90	4	14	17
65	210	22	144	160	130	110	4	14	17
80	230	25	168	190	150	128	4	18	19
100	269	30	204	210	170	148	4	18	20
125	290	38	266	240	200	178	8	18	20
150	335	45	302	265	225	202	8	18	20
200	395	62	396	320	280	258	8	18	22
250	508	75	456	375	335	312	12	18	24

DIN

DESCRIPTION: Two piece, full bore, Rg5 body ball valve with SUS 304 ball and PTFE seat ring. ISO 228 female threaded ends.

APPLICATION: Start/stop flow of: Compressed air, gases and liquids. Typically also used for drain and vent purposes.

NO.	PART NAME	Material
1	Body	Bronze
2	Seat	PTFE
3	Ball	SS
4	Seal	PTFE
5	Bonnet	Bronze
6	Stem	SS
7	Packing	PTFE
8	Gland	Brass
9	Hand lever	SUS201



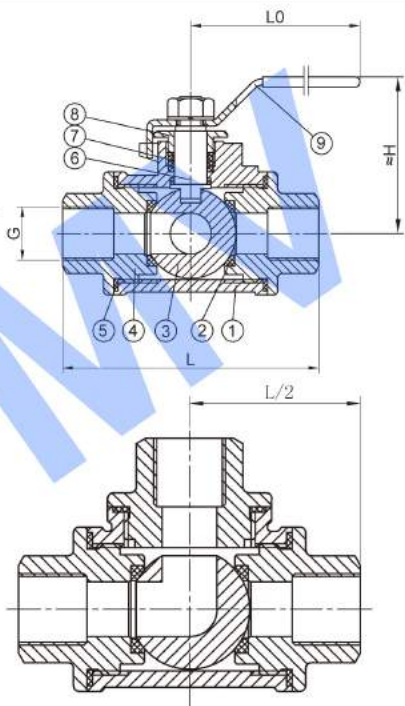
General Specification	
Design Std	
Thread Std	ISO 228
Test Std	EN 12266
Nominal pressure	1.6Mpa
Applicable temperature	≤200℃
Pressure rating	PN16



DN	d	L	≈H	G	L0
6	11	55	50	G 1/4 "	104
10	11	55	50	G 3/8 "	104
15	16	65	60	G 1/2 "	115
20	20	77	63	G 3/4 "	115
25	25	87	80	G 1 "	132
32	32	105	84	G 1-1/4 "	132
40	40	115	96	G 1-1/2 "	154
50	50	126	104	G 2 "	154

DESCRIPTION: 3-way full bore Rg5 ball valve with SUS 304 ball and PTFE seat ring. ISO 228 female threaded end.

APPLICATION: Stop and distribution valve for: Compressed air, gases and liquids in general etc.



NO.	PART NAME	Material
1	Body	Bronze
2	Seat	PTFE
3	Ball	SS
4	Seal	PTFE
5	Bonnet	Bronze
6	Stem	SS
7	Packing	PTFE
8	Gland	Brass
9	Hand lever	SUS201

General Specification	
Design Std	
Thread Std	ISO 228
Test Std	EN 12266
Nominal pressure	2.5Mpa
Applicable temperature	≤200°C
Pressure rating	PN25



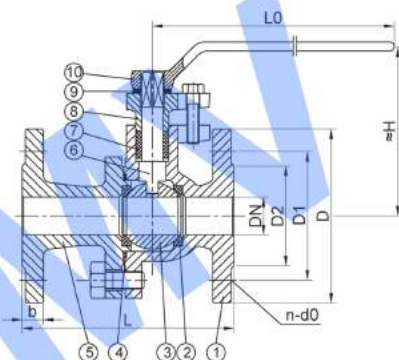
DN	L	≈H	G	L0
15	110	70	G 1/2 "	132
20	125	80	G 3/4 "	154
25	130	100	G 1 "	154
32	144	100	G 1-1/4 "	154
50	180	125	G 2 "	200

DIN

DESCRIPTION: Two piece, full bore, nodular cast iron body ball valve with SUS 304 ball and PTFE seat ring. Raised face flanged.

APPLICATION: Water, Conditioning, Gas, Heating, Industry, Fire fighting. Start/stop flow of: Compressed air, gases and liquids. Typically also used for drain and vent purposes.

NO.	PART NAME	Material
1	Body	Nodular Cast Iron
2	Seat	PTFE
3	Ball	SS
4	Seal	PTFE
5	Bonnet	Nodular Cast Iron
6	Stem	SS
7	Packing	PTFE
8	Gland	Bronze
9	Position board	SS
10	Hand lever	SS/WCB



General Specification

Face to Face	DIN 558
Design Std	DIN
Flange Std	EN1092(DIN2501)
Test Std	EN 12266
Nominal pressure	1.6Mpa
Applicable temperature	≤200℃
Pressure rating	PN16

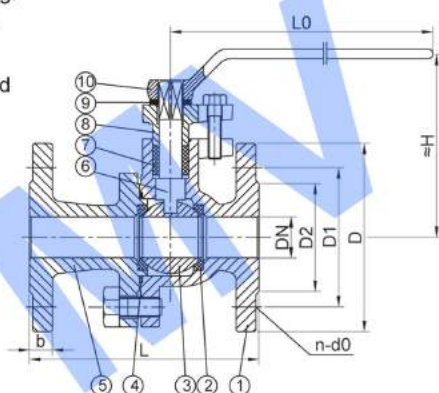
DN	L	H	D	D1	D2	b	n	d0	L0
15	115	90	95	65	45	14	4	14	157
20	120	100	105	75	58	14	4	14	170
25	125	115	115	85	68	14	4	14	170
32	130	135	140	100	78	15	4	18	170
40	140	150	150	110	88	16	4	18	200
50	150	165	165	125	102	16	4	18	200
65	170	195	185	145	122	18	4	18	200
80	180	215	200	160	138	20	8	18	405

DESCRIPTION: Two piece, full bore, Rg5 body ball valve with SUS 304 ball and PTFE seat ring. Raised face flanged. With direct mounting pad.

APPLICATION: Start/stop flow of: Compressed air, gases and liquids. Typically also used for drain and vent purposes.

DIN

NO.	PART NAME	Material
1	Body	Bronze
2	Seat	PTFE
3	Ball	SS
4	Seal	PTFE
5	Bonnet	Bronze
6	Stem	SS
7	Packing	PTFE
8	Gland	Bronze
9	Position board	SS
10	Hand lever	SS/WCB



General Specification	
Face to Face	DIN 558
Design Std	DIN
Flange Std	EN1092(DIN2501)
Test Std	EN 12266
Nominal pressure	1.6Mpa
Applicable temperature	≤200°C
Pressure rating	PN16

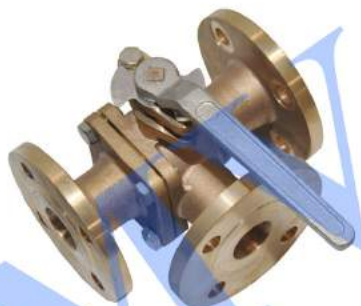
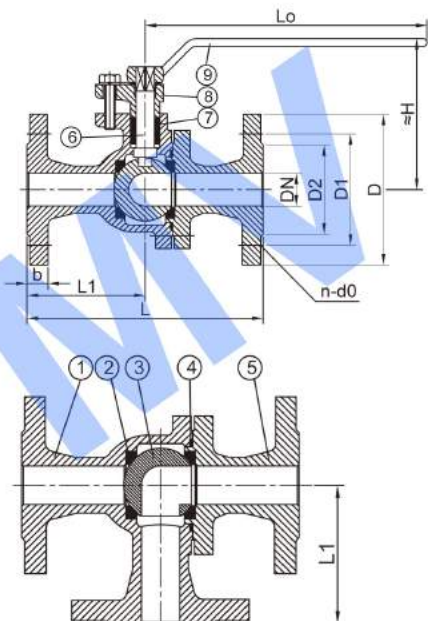
DN	L	H	D	D1	D2	b	n	d0	L0
15	115	90	95	65	45	14	4	14	157
20	120	100	105	75	58	14	4	14	170
25	125	115	115	85	68	14	4	14	170
32	130	135	140	100	78	15	4	18	170
40	140	150	150	110	88	16	4	18	200
50	150	165	165	125	102	16	4	18	200
65	170	195	185	145	122	18	4	18	200
80	180	215	200	160	138	20	8	18	405
100	190	250	220	180	158	22	8	18	405

DIN

DESCRIPTION: 3-way L-port full bore bronze ball valve with SUS 304 ball and PTFE seating ring. Raised face flanged.

APPLICATION: Stop and distribution valve for: Compressed air, gases and liquids in general etc.

NO.	PART NAME	Material
1	Body	Bronze
2	Seat	PTFE
3	Ball	SS
4	Seal	PTFE
5	Bonnet	Bronze
6	Stem	SS
7	Packing	PTFE
8	Gland	Bronze
9	Position board	SS
10	Hand lever	WCB



General Specification	
Face to Face	DIN 558
Design Std	DIN
Flange Std	EN1092(DIN2501)
Test Std	EN 12266
Nominal pressure	1.6Mpa
Applicable temperature	≤200℃
Pressure rating	PN16

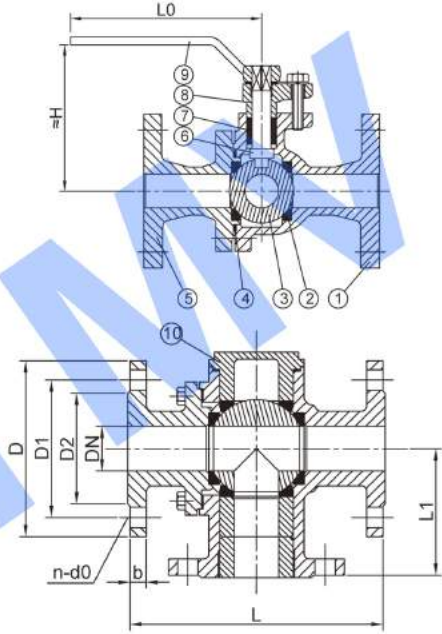
DN	L	L1	≈H	D	D1	D2	b	n	d0	L0
15	160	80	90	95	65	45	14	4	14	157
20	160	80	100	105	75	58	14	4	14	170
25	180	90	115	115	85	68	14	4	14	170
32	200	100	135	140	100	78	15	4	18	170
40	220	110	150	150	110	88	16	4	18	200
50	240	120	165	165	125	102	16	4	18	200
65	260	130	195	185	145	122	18	4	18	200
80	280	140	215	200	160	138	20	8	18	405
100	320	160	250	220	180	158	22	8	18	405

DESCRIPTION: 3-way T-port full bore bronze ball valve with SUS 304 ball and PTFE seating ring. Raised face flanged.

APPLICATION: Stop and distribution valve for: Compressed air, gases and liquids in general etc.

DIN

NO.	PART NAME	Material
1	Body	Bronze
2	Seat	PTFE
3	Ball	SS
4	Seal	PTFE
5	Bonnet	Bronze
6	Stem	SS
7	Packing	PTFE
8	Gland	Bronze
9	Position board	SS
10	Hand lever	WCB



General Specification	
Face to Face	DIN 558
Design Std	DIN
Flange Std	EN1092(DIN2501)
Test Std	EN 12266
Nominal pressure	1.6Mpa
Applicable temperature	≤200°C
Pressure rating	PN16

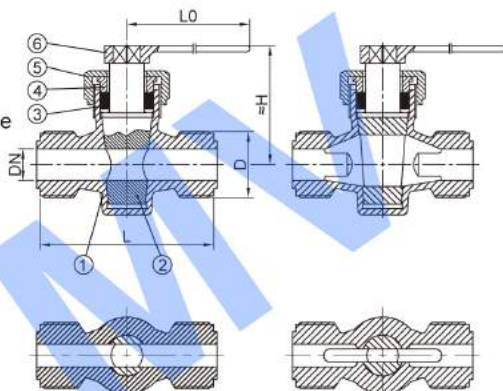


DN	L	L1	≈H	D	D1	D2	b	n	d0	L0
15	160	80	90	95	65	45	14	4	14	157
20	160	80	100	105	75	58	14	4	14	170
25	180	90	115	115	85	68	14	4	14	170
32	200	100	135	140	100	78	15	4	18	170
40	220	110	150	150	110	88	16	4	18	200
50	240	120	165	165	125	102	16	4	18	200
65	260	130	195	185	145	122	18	4	18	200
80	280	140	215	200	160	138	20	8	18	405
100	320	160	250	220	180	158	22	8	18	405

DESCRIPTION: Rg5 body straight cock with Rg5 plug. GOST 2822 male thread.

DIN

APPLICATION: Stop and distribution valve for: Compressed air, gases, non corrosive media and slurries etc.



DN6

DN10~32

NO.	PART NAME	Material
1	Body	Bronze
2	Disc	Bronze
3	Packing	PTFE
4	Gland	Brass
5	Nut	Brass
6	Hand lever	HT200

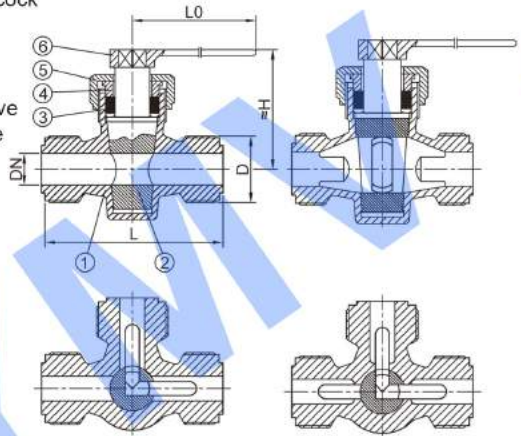
General Specification	
Design Std	
Thread Std	GOST 2822
Test Std	EN 12266
Nominal pressure	1.0Mpa
Applicable temperature	≤200℃
Pressure rating	PN10



DN	L	H	H1	D	L0
6	70	60	23	M22X1.5	100
10	78	72	30	M27X1.5	110
15	92	82	33	M36X2	115
20	98	117	37	M36X2	125
25	106	115	42	M42X2	140
32	126	120	49	M48X2	160

DESCRIPTION: 3-way Rg5 body L-port cock with Rg5 plug. GOST 2822 male thread.

APPLICATION: Stop and distribution valve for: Compressed air, gases, non corrosive media and slurries etc.



DIN

NO.	PART NAME	Material
1	Body	Bronze
2	Disc	Bronze
3	Packing	PTFE
4	Gland	Brass
5	Nut	Brass
6	Hand lever	HT200

DN6

DN10~32

General Specification	
Design Std	
Thread Std	GOST 2822
Test Std	EN 12266
Nominal pressure	1.0Mpa
Applicable temperature	≤200℃
Pressure rating	PN10

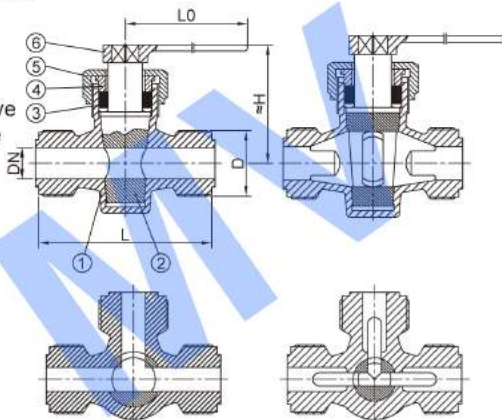


DN	L	H	H1	D	L0
6	70	60	23	M22X1.5	100
10	78	72	30	M27X1.5	110
15	92	82	33	M36X2	115
20	98	117	37	M36X2	125
25	106	115	42	M42X2	140
32	126	120	49	M48X2	160

DESCRIPTION: 3-way Rg5 body T-port cock with Rg5 plug. GOST 2822 male thread.

DIN

APPLICATION: Stop and distribution valve for: Compressed air, gases, non corrosive media and slurries etc.



DN6

DN10~32

NO.	PART NAME	Material
1	Body	Bronze
2	Disc	Bronze
3	Packing	PTFE
4	Gland	Brass
5	Nut	Brass
6	Hand lever	HT200

General Specification	
Design Std	
Thread Std	GOST 2822
Test Std	EN 12266
Nominal pressure	1.0Mpa
Applicable temperature	≤200℃
Pressure rating	PN10



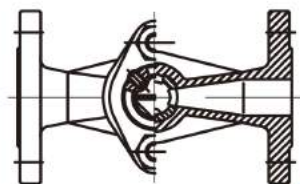
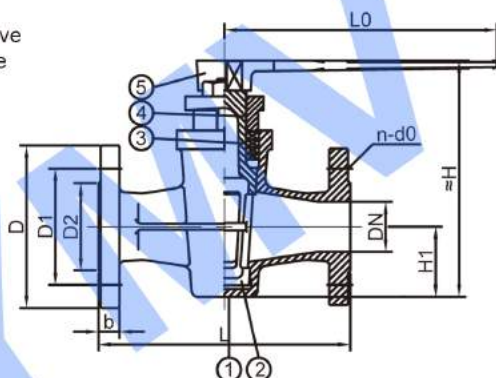
DN	L	H	H1	D	L0
6	70	60	23	M22X1.5	100
10	78	72	30	M27X1.5	110
15	92	82	33	M36X2	115
20	98	117	37	M36X2	125
25	106	115	42	M42X2	140
32	126	120	49	M48X2	160

DESCRIPTION: Rg5 body straight cock with Rg5 plug. Raised face flanged.

DIN

APPLICATION: Stop and distribution valve for: Compressed air, gases, non corrosive media and slurries etc.

NO.	PART NAME	Material
1	Body	Bronze
2	Disc	Bronze
3	Packing	PTFE
4	Gland	Bronze
5	Hand lever	HT200



General Specification	
Face to Face	
Design Std	
Flange Std	EN1092(DIN2501)
Test Std	EN 12266
Nominal pressure	0.6Mpa
Applicable temperature	≤200°C
Pressure rating	PN6

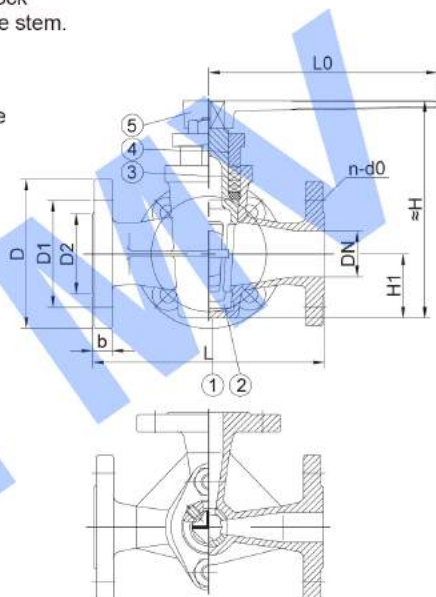
DN	L	≈H	H1	D	D1	D2	n	d0	b	L0
20	150	40	139	90	65	50	4	11	12	120
25	160	41	149	100	75	60	4	11	13	140
32	180	48	168	120	90	70	4	14	14	160
40	200	56	192	130	100	80	4	14	16	180
50	230	65	243	140	110	90	4	14	17	230
65	290	80	285	160	130	110	4	14	17	250
80	310	96	324	190	150	128	4	18	19	320

DESCRIPTION: 3-way Rg5 body T-port cock with Rg5 plug. Raised face flanged and free stem.

DIN

APPLICATION: Stop and distribution valve for: Compressed air, gases, non corrosive media and slurries etc.

NO.	PART NAME	Material
1	Body	Bronze
2	Disc	Bronze
3	Packing	PTFE
4	Gland	Bronze
5	Hand lever	HT200



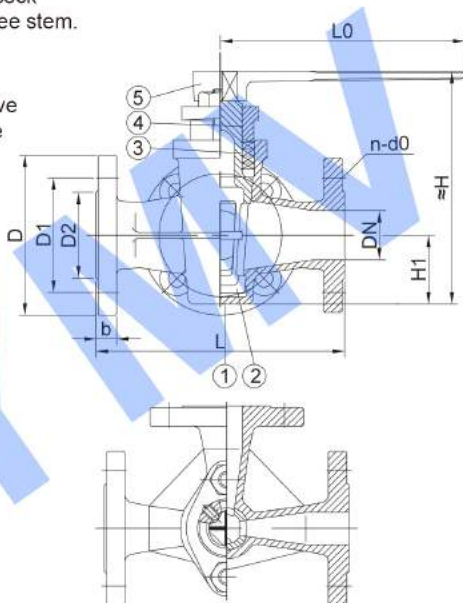
General Specification	
Face to Face	
Design Std	
Flange Std	EN1092(DIN2501)
Test Std	EN 12266
Nominal pressure	0.6Mpa
Applicable temperature	≤200 °C
Pressure rating	PN6

DN	L	≈H	H1	D	D1	D2	n	d0	b	L0
20	150	40	139	90	65	50	4	11	12	120
25	160	41	149	100	75	60	4	11	13	140
32	180	48	168	120	90	70	4	14	14	160
40	200	56	192	130	100	80	4	14	16	180
50	230	65	243	140	110	90	4	14	17	230
65	290	80	285	160	130	110	4	14	17	250
80	310	96	324	190	150	128	4	18	19	320

DESCRIPTION: 3-way Rg5 body L-port cock with Rg5 plug. Raised face flanged and free stem.

APPLICATION: Stop and distribution valve for: Compressed air, gases, non corrosive media and slurries etc.

NO.	PART NAME	Material
1	Body	Bronze
2	Disc	Bronze
3	Packing	PTFE
4	Gland	Bronze
5	Hand lever	HT200



DIN

General Specification

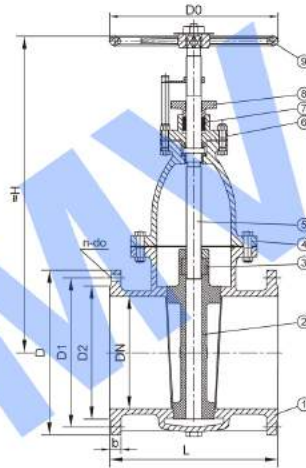
Face to Face	
Design Std	
Flange Std	EN1092(DIN2501)
Test Std	EN 12266
Nominal pressure	0.6Mpa
Applicable temperature	≤200°C
Pressure rating	PN6

DN	L	≈H	H1	D	D1	D2	n	d0	b	L0
20	150	40	139	90	65	50	4	11	12	120
25	160	41	149	100	75	60	4	11	13	140
32	180	48	168	120	90	70	4	14	14	160
40	200	56	192	130	100	80	4	14	16	180
50	230	65	243	140	110	90	4	14	17	230
65	290	80	285	160	130	110	4	14	17	250
80	310	96	324	190	150	128	4	18	19	320

DIN

DESCRIPTION: Rg5 body gate valve. Non rising stem with open/close indicator and bolted bonnet. Raised face flanged. Short F4 type.

APPLICATION: Start/stop flow with minimized pressure drop for water and sea water etc. Suitable as sea direct.



NO.	PART NAME	Material
1	Body	Bronze
2	Disc	Bronze
3	Square nut	Bronze
4	Bonnet	Bronze
5	Stem	Brass
6	Stuffing box	Bronze
7	Packing	PTFE
8	Gland	Bronze
9	Handwheel	Cast iron

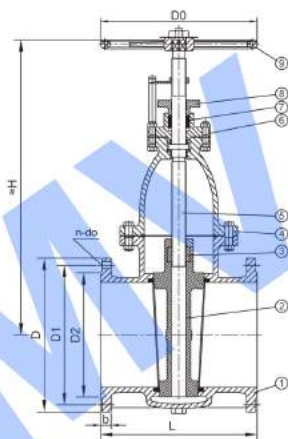


General Specification	
Face to Face	DIN 558
Design Std	
Flange Std	EN1092(DIN2501)
Test Std	EN 12266
Nominal pressure	1.0Mpa
Applicable temperature	≤200℃
Pressure rating	PN10

DN	L	≈H	D	D1	D2	b	n	d0	D0
40	140	330	150	110	88	15	4	18	140
50	150	345	165	125	102	17	4	18	140
65	170	375	185	145	122	17	4	18	180
80	180	400	200	160	138	18	8	18	180
100	190	470	220	180	158	18	8	18	200
125	200	515	250	210	188	21	8	18	200
150	210	575	285	240	212	22	8	22	200
200	230	665	340	295	268	24	8	22	250
250	250	755	395	350	320	26	12	22	250

DESCRIPTION: Nodular cast iron body gate valve. Non rising stem with open/close indicator and bolted bonnet. Raised face flanged. Short F4 type.

APPLICATION: Cold and hot water, fresh water, sea water, lubricating oil. Start/stop flow with minimized pressure drop for water, sea water, steam and oils etc. Suitable as sea direct.



DIN

NO.	PART NAME	Material
1	Body	Nodular Cast Iron
2	Disc	Nodular Cast Iron+Brass
3	Square nut	Bronze
4	Bonnet	Nodular Cast Iron
5	Stem	Brass
6	Stuffing box	Nodular Cast Iron
7	Packing	PTFE
8	Gland	Bronze
9	Handwheel	Cast iron
10	Seat	Brass



General Specification	
Face to Face	DIN 558
Design Std	
Flange Std	EN1092(DIN2501)
Test Std	EN 12266
Nominal pressure	1.0Mpa
Applicable temperature	≤200°C
Pressure rating	PN10

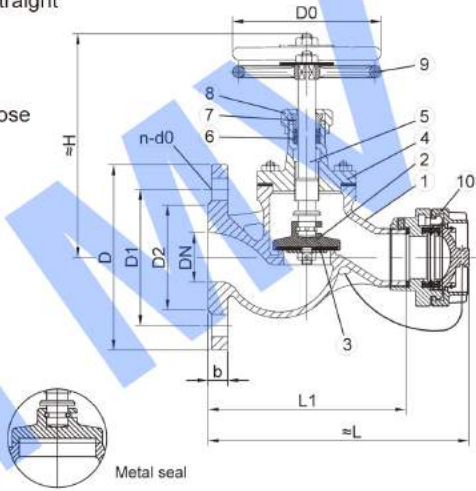
DN	L	≈H	D	D1	D2	b	n	d0	D0
40	140	330	150	110	88	15	4	18	140
50	150	345	165	125	102	17	4	18	140
65	170	375	185	145	122	17	4	18	180
80	180	400	200	160	138	18	8	18	180
100	190	470	220	180	158	18	8	18	200
125	200	515	250	210	188	21	8	18	200
150	210	575	285	240	212	22	8	22	200
200	230	665	340	295	268	24	8	22	250
250	250	755	395	350	320	26	12	22	250

DESCRIPTION: Rg5 body soft sealing fire valve. Rising stem with bolted bonnet. Straight hose connection, Raised face flanged.

DIN

APPLICATION: Water and sea water hose connection for fire fighting system.

NO.	PART NAME	Material
1	Body	Bronze
2	Disc	Bronze
3	Seal	NBR
4	Bonnet	Bronze
5	Stem	Brass
6	Packing	PTFE
7	Gland	Brass
8	Nut	Brass
9	Handwheel	Cast iron
10	Fire connector	Brass



General Specification	
Design Std	
Thread Std	ISO 228
Flange Std	EN1092(DIN2501)
Test Std	EN 12266
Nominal pressure	1.6Mpa
Applicable temperature	≤100℃
Pressure rating	PN16



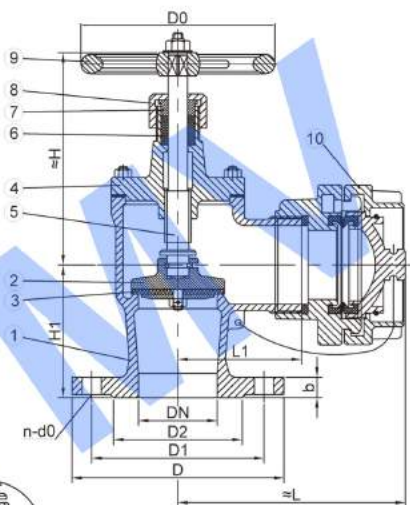
DN	≈L	L1	≈H	D	D1	D2	n	d0	b	D0
40	235	175	167	150	110	88	4	18	16	140
50	235	172	170	165	125	102	4	18	17	140
65	285	215	200	185	145	122	4	18	17	140

DESCRIPTION: Rg5 body soft sealing fire valve. Bolted bonnet. 90° hose connection angle. Raised face flanged.

APPLICATION: Water and sea water hose connection for fire fighting system.

DIN

NO.	PART NAME	Material
1	Body	Bronze
2	Disc	Bronze
3	Seal	NBR
4	Bonnet	Bronze
5	Stem	Brass
6	Packing	PTFE
7	Gland	Brass
8	Nut	Brass
9	Handwheel	Cast iron
10	Fire connector	Brass



Metal seal

General Specification	
Design Std	
Thread Std	ISO 228
Flange Std	EN1092(DIN2501)
Test Std	EN 12266
Nominal pressure	1.6Mpa
Applicable temperature	≤100°C
Pressure rating	PN16

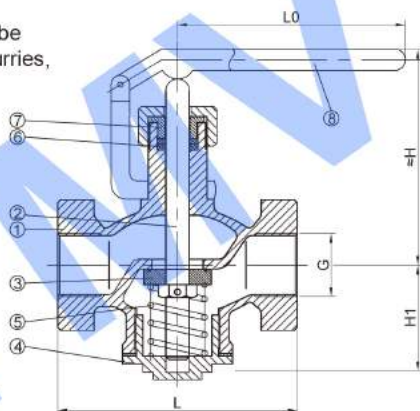


DN	≈L	L1	≈H	H1	D	D1	D2	n	d0	b	D0
40	125	65	140	65	150	110	88	4	18	16	140
50	136	70	140	75	165	125	102	4	18	17	140
65	162	95	170	90	185	145	122	4	18	17	140

DESCRIPTION: Straight type, Rg5 body, spring loaded, self closing flushing valve. ISO 228 female thread.

DIN

APPLICATION: Used where liquids should be instantaneously available. for drainage of slurries, solid or semi solid particles etc.



NO.	PART NAME	Material
1	Body	Bronze
2	Stem	Brass
3	Disc	Brass
4	Bonnet	Bronze
5	Spring	SS
6	Packing	PTFE
7	Gland	Brass
8	Hand lever	Bronze

General Specification

Design Std	
Thread Std	ISO 228
Test Std	EN 12266
Nominal pressure	1.6Mpa
Applicable temperature	≤200°C
Pressure rating	PN16

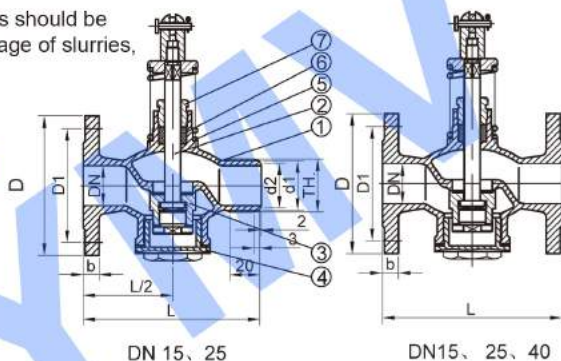
DN	G	L	≈H	H1	L0
10	G 3/8 "	65	84	44	83
15	G 1/2 "	65	84	44	83
20	G 3/4 "	76	87	51	83
25	G 1 "	80	89	53	83
32	G 1-1/4 "	90	107	60	155

DESCRIPTION: Straight type, Rg5 body, spring loaded, self closing flushing valve.

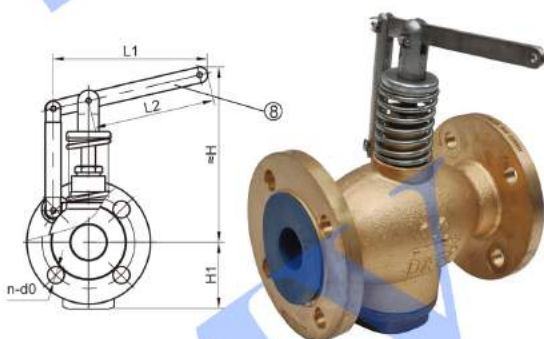
DIN

APPLICATION: Used where liquids should be instantaneously available. for drainage of slurries, solid or semi solid particles etc.

NO.	PART NAME	Material
1	Body	Bronze
2	Stem	Brass
3	Disc	Brass
4	Bonnet	Bronze
5	Spring	SS
6	Packing	PTFE
7	Gland	Brass
8	Hand lever	Cast steel



General Specification	
Design Std	
Thread Std	GOST 2822
Flange Std	EN1092(DIN2501) PN6
Test Std	EN 12266
Nominal pressure	1.0Mpa
Applicable temperature	≤200℃
Pressure rating	PN10



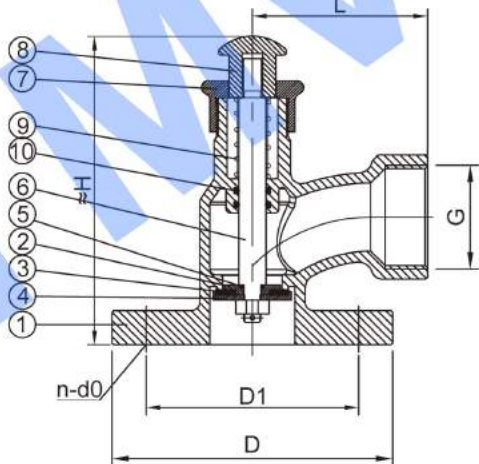
DN	L	L1	L2	≈H	H1	D	D1	b	n	d0	TH.	d1	d2
15	130	165	120	146	46	80	55	12	4	11	M30X2	27	19
25	160	183	130	168	62	100	75	14	4	11	M42X2	39	29
40	200	203	140	195	80	130	100	16	4	14	-	-	-

DIN

DESCRIPTION: Rg5 self closing valve for connection to tank bulkhead and sight glass. Flat face flange towards tank, ISO 228 female fitting of sight glass.

APPLICATION: For manual level control of e.g. ships viny tanks etc.

NO.	PART NAME	Material
1	Body	Bronze
2	Stem	Brass
3	Washer	Brass
4	Disc	Brass
5	O-Ring	NBR
6	Stem	Brass
7	Bonnet	Brass
8	Cover	Brass
9	Spring	SS
10	O-Ring	NBR



General Specification	
Design Std	
Thread Std	ISO 228
Flange Std	EN1092(DIN2501)
Test Std	EN 12266
Nominal pressure	1.0Mpa
Applicable temperature	≤100°C
Pressure rating	PN10

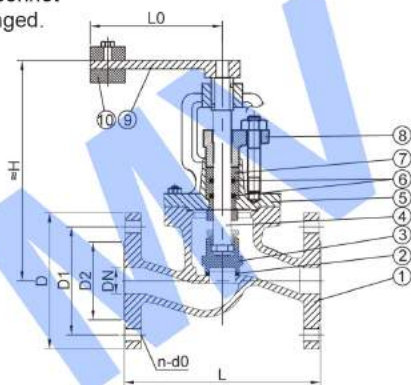
DN	L	≈H	G	D	D1	n	d0
20	67	112	G 1"	105	75	4	14
25	67	112	G 1"	115	85	4	14

DESCRIPTION: Straight type nodular cast iron, metal seated, self closing globe valve. Bolted bonnet and lever with counter weight. Raised face flanged.

APPLICATION: Quick start/stop of: Water and low pressure steam, oils etc.

DIN

NO.	PART NAME	Material
1	Body	Nodular Cast Iron
2	Seat	SS
3	Disc	SS
4	Stem	SS
5	Bonnet	Nodular Cast Iron
6	O-Ring	NBR
7	Sleeve	Brass
8	Gland	Cast Iron
9	Hand lever	WCB
10	Counter Weight	WCB



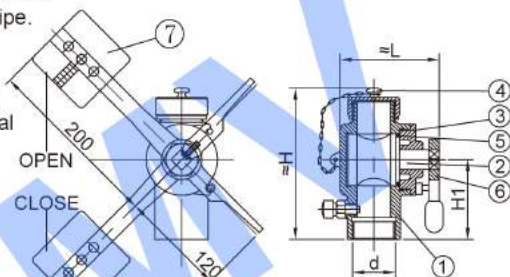
General Specification	
Design Std	
Flange Std	EN1092(DIN2501)
Test Std	EN 12266
Nominal pressure	1.6Mpa
Applicable temperature	≤200°C
Pressure rating	PN16

DN	L	≈H	D	D1	D2	n	d0	L0
15	130	160	95	65	45	4	14	300
20	150	160	105	75	58	4	14	300
25	160	170	115	85	68	4	14	300
32	180	170	140	100	78	4	18	300
40	200	210	150	110	88	4	18	300
50	230	220	165	125	102	4	18	300
65	290	225	185	145	122	4	18	300
80	310	270	200	160	138	8	18	300

DIN

DESCRIPTION: Rg5 manual sounding cock with cap and lever with counter weight. ISO 228 female threaded connection to sounding pipe.

APPLICATION: Easy sounding access to ships double bottom tanks requiring manual sounding option etc.



NO.	PART NAME	Material
1	Body	Bronze
2	Disc	Bronze
3	Bonnet	Bronze
4	Cover	Brass
5	O-Ring	NBR
6	Hand lever	HT200
7	Counter Weight	HT200



General Specification	
Design Std	
Thread Std	ISO 228
Test Std	EN 12266
Nominal pressure	0.25Mpa
Applicable temperature	≤200℃

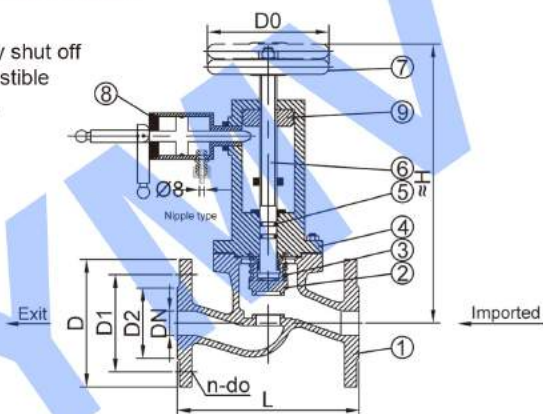
DN	d	≈H	H1	≈L
40	G 1-1/2"	170	95	115
50	G 2"	180	100	115
65	G 2-1/2"	180	100	115

DESCRIPTION: Straight type Rg5, metal seated, quick closing globe valve. Release cylinder for pneumatic, hydraulic or mechanical remote control. Raised face flanged.

DIN

APPLICATION: Remote emergency shut off valve for fuels, oils and other combustible liquids. Engine room installation etc.

NO.	PART NAME	Material
1	Body	Bronze
2	Disc	SS
3	Spring	SS
4	Bonnet	SS
5	O-Ring	NBR
6	Stem	SS
7	Handwheel	HT200
8	Retainer Block	Brass
9	Pneumatic device	2Cr13



General Specification

Design Std	
Flange Std	EN1092(DIN2501)
Test Std	EN 12266
Nominal pressure	0.25Mpa
Applicable temperature	≤200°C
Pressure rating	PN2.5

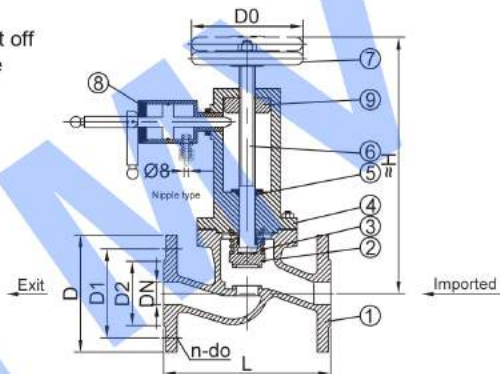
DN	L	≈H	D	D1	D2	n	d0	D0
15	130	237	95	65	45	4	14	80
20	150	240	105	75	58	4	14	80
25	160	242	115	85	68	4	14	80
32	180	245	140	100	78	4	18	100
40	200	274	150	110	88	4	18	140
50	230	283	165	125	102	4	18	140
65	290	325	185	145	122	4	18	140
80	310	350	200	160	138	8	18	180

DIN

DESCRIPTION: Straight type nodular cast iron, metal seated, quick closing globe valve. Release cylinder for pneumatic, hydraulic or mechanical remote control. Raised face flanged.

APPLICATION: Remote emergency shut off valve for fuels, oils and other combustible liquids. Engine room installation etc.

NO.	PART NAME	Material
1	Body	Nodular Cast Iron
2	Seat	SS
3	Disc	SS
4	Spring	SS
5	Bonnet	Nodular Cast Iron
6	O-Ring	NBR
7	Stem	SS
8	Handwheel	HT200
9	Retainer Block	Brass
10	Pneumatic device	2Cr13



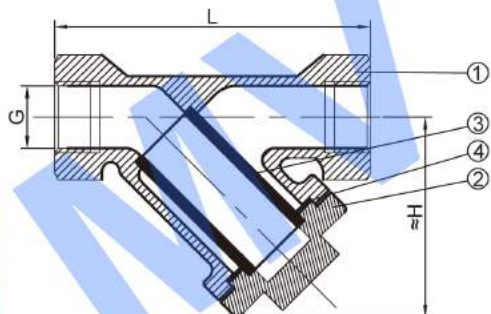
General Specification	
Design Std	
Flange Std	EN1092(DIN2501)
Test Std	EN 12266
Nominal pressure	0.25Mpa
Applicable temperature	≤200°C
Pressure rating	PN2.5

DN	L	≈H	D	D1	D2	n	d0	L0
15	130	200	95	65	45	4	14	300
20	150	200	105	75	58	4	14	300
25	160	200	115	85	68	4	14	300
32	180	205	140	100	78	4	18	300
40	200	230	150	110	88	4	18	300
50	230	240	165	125	102	4	18	300
65	290	250	185	145	122	4	18	300
80	310	320	200	160	138	8	18	300

DESCRIPTION: Y-type, Rg5 body, strainer with SUS 304 strainer basket. ISO 228 female thread.

APPLICATION: Filtering of water, oils, non aggressive process liquids etc.

NO.	PART NAME	Material
1	Body	Bronze
2	Bonnet	Bronze
3	Filter	SS
4	Gasket	Aramid fiber



General Specification	
Design Std	
Thread Std	ISO 228
Test Std	EN 12266
Nominal pressure	1.6Mpa
Applicable temperature	≤200°C
Pressure rating	PN16



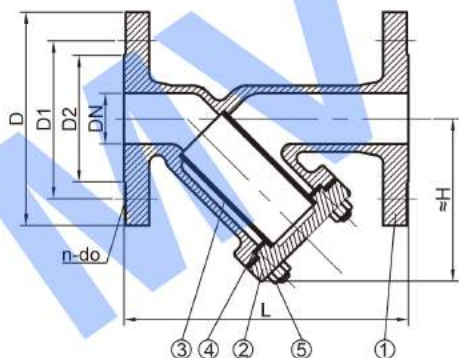
DN	L	≈H	G
15	60	38	G 1/2"
20	70	46	G 3/4"
25	82	54	G 1"
32	94	62	G 1-1/4"
40	105	72	G 1-1/2"
50	130	89	G 2"

DESCRIPTION: Y-type, nodular cast iron body strainer with SUS 304 strainer basket. Raised face flanged.

DIN

APPLICATION: Filtering of water, oils, non aggressive process liquids in general etc. Water, oil and other process liquids.

NO.	PART NAME	Material
1	Body	Nodular Cast Iron
2	Bonnet	Nodular Cast Iron
3	Filter	SS
4	Gasket	Aramid fiber
5	Bolt/Nut	SS



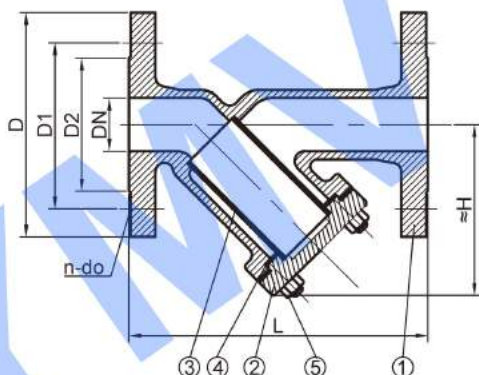
General Specification	
Design Std	
Flange Std	EN1092(DIN2501)
Test Std	EN 12266
Nominal pressure	1.6Mpa
Applicable temperature	≤200℃
Pressure rating	PN16

DN	L	≈H	D	D1	D2	n	d0
15	130	90	95	65	45	4	14
20	150	90	105	75	58	4	14
25	160	95	115	85	68	4	14
32	180	100	140	100	78	4	18
40	200	115	150	110	88	4	18
50	230	140	165	125	102	4	18
65	290	160	185	145	122	4	18
80	310	200	200	160	138	8	18
100	350	240	220	180	158	8	18
125	400	280	250	210	188	8	18
150	480	300	285	240	212	8	22
200	600	450	340	295	268	8	22

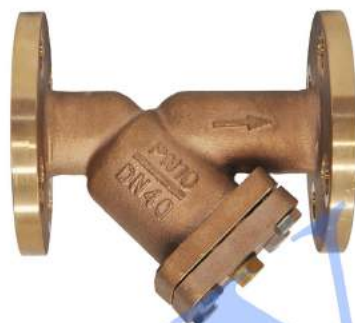
DESCRIPTION: Y-type, Rg5 body strainer with SUS 304 strainer basket. Raised face flanged.

APPLICATION: Filtering of water, oils, process liquids in general etc.

NO.	PART NAME	Material
1	Body	Bronze
2	Bonnet	Bronze
3	Filter	SS
4	Gasket	Aramid fiber
5	Bolt/Nut	SS



General Specification	
Design Std	
Flange Std	EN1092(DIN2501)
Test Std	EN 12266
Nominal pressure	1.6Mpa
Applicable temperature	≤200℃
Pressure rating	PN16



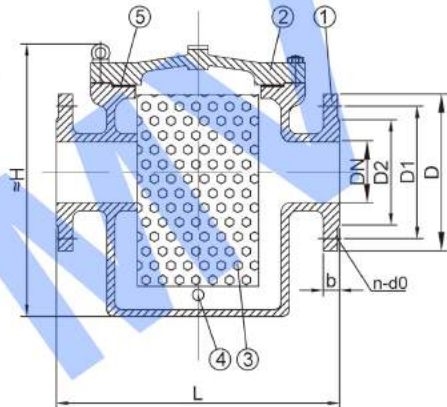
DN	L	≈H	D	D1	D2	n	d0
15	130	90	95	65	45	4	14
20	150	90	105	75	58	4	14
25	160	95	115	85	68	4	14
32	180	100	140	100	78	4	18
40	200	115	150	110	88	4	18
50	230	140	165	125	102	4	18
65	290	160	185	145	122	4	18
80	310	200	200	160	138	8	18
100	350	240	220	180	158	8	18
125	400	280	250	210	188	8	18
150	480	300	285	240	212	8	22
200	600	450	340	295	268	8	22

DESCRIPTION: Straight type, Rg5 body and bonnet mud box with SUS 304 strainer basket. Fitted with drain plug and bonnet lifting lug. Raised face flanged.

DIN

APPLICATION: Typically used as sea water suction and bilge suction filter etc. Suction and discharge lines for sea cooling water and bilge systems.

NO.	PART NAME	Material
1	Body	Bronze
2	Bonnet	Bronze
3	Filter	SS
4	Drain Plug	Brass
5	Gasket	Aramid fiber



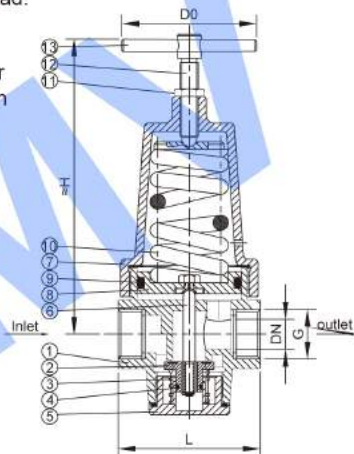
General Specification	
Design Std	
Flange Std	EN1092(DIN2501)
Test Std	EN 12266
Nominal pressure	1.0Mpa
Applicable temperature	≤200℃
Pressure rating	PN10



DN	L	≈H	D	D1	D2	n	d0	b
40	200	210	150	110	88	4	18	16
50	230	215	165	125	102	4	18	17
65	290	265	185	145	122	4	18	17
80	310	300	200	160	138	8	18	19
100	350	340	220	180	158	8	18	20
125	400	415	250	210	188	8	18	20
150	480	465	285	240	212	8	22	22
200	600	570	340	295	268	8	22	22
250	600	560	395	350	320	12	22	26
300	700	680	445	400	370	12	22	26
350	610/690/800	750	505	460	430	16	22	30
400	740	900	565	515	482	16	26	32
450	1000	1000	615	565	532	20	26	36
500	1100	1200	670	620	585	20	26	38
600	1100	1100	780	725	685	20	30	42
700	1250	1150	895	840	800	24	30	50

DESCRIPTION: Straight Rg5 body adjustable pressure reducing valve with NBR seal. Outlet pressure range 1.5-20 bar. Single manometer fitting. ISO 228 female thread.

APPLICATION: Avoiding distributing line overpressure or pressure peaks due to variations in supply line pressure in neutral non viscous liquids, air, gases and vapours. Not for steam.



NO.	PART NAME	Material
1	Body	Bronze
2	Disc	Brass
3	Spring	SS
4	O-Ring	NBR
5	Bonnet	Bronze
6	Stem	Brass
7	Bonnet	Bronze
8	Spring seat	2Cr13
9	O-Ring	NBR
10	Spring	SS
11	Nut	Q235A
12	Adjusting lever	Q235A
13	Lever	Brass



General Specification	
Design Std	
Ththead	ISO 228
Test Std	EN 12266
Nominal pressure	
Applicable temperature	≤100°C
Pressure rating	

DN	G	L	≈H	D0
15	G 1/2"	100	200	90
20	G 3/4"	100	200	90
25	G 1"	100	200	90